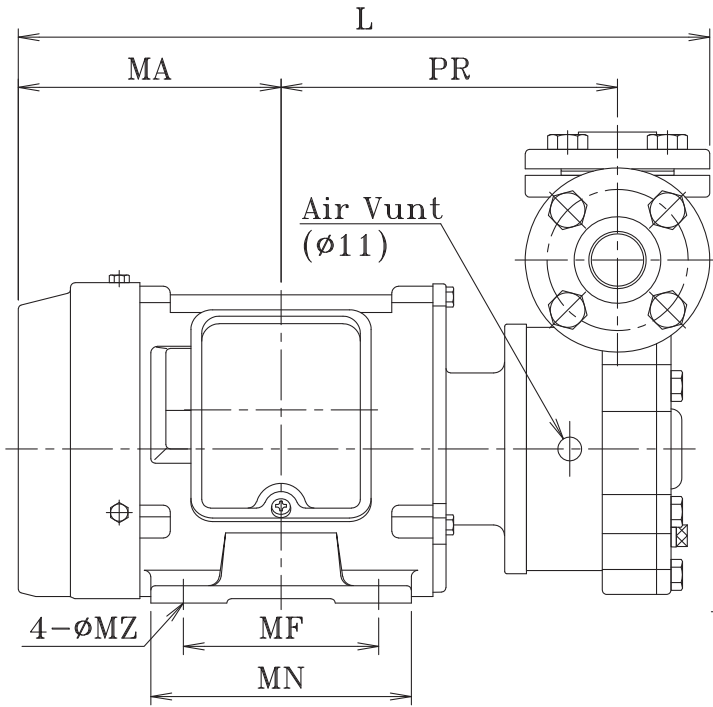
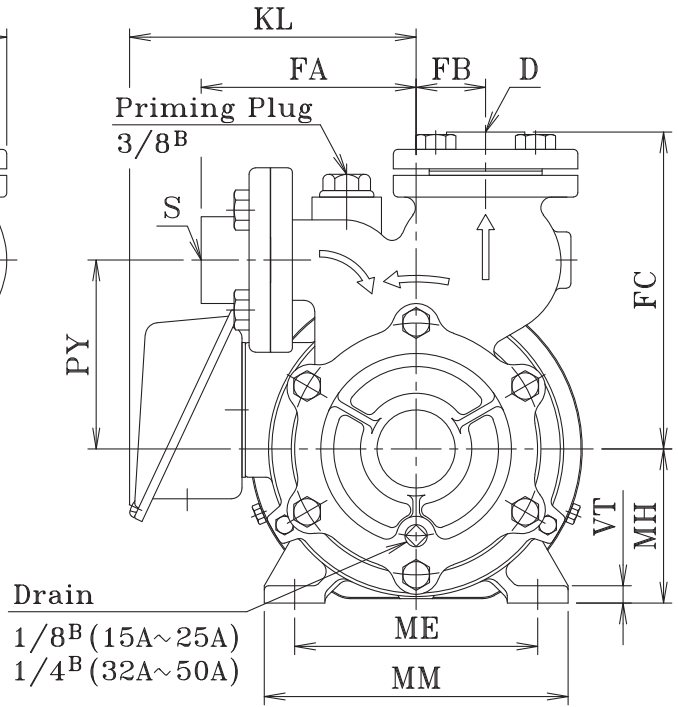
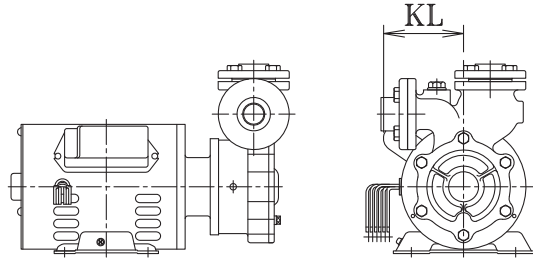


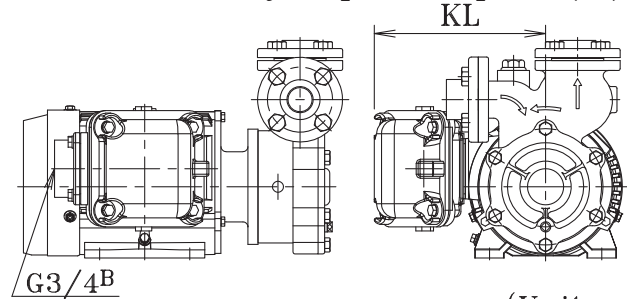
Totally enclosed fan-cooled (IE3)(*1)



Single phase, open drip proof(*2)



Increased safety explosion proof(*3)



Dimension and Weights

(Unit:mm,kg)

	Model	kW	S · D	PR	PY	FA	FB	FC	MH	L	MA	ME	MF	MM	MN	MZ	VT	KL	Weight
TEFCM(*1)	15UPD04Z	0.4	Rc1/2	149	83	93	30	135	71	309	121	112	90	140	120	8×10	8	132	14
	20UPD04Z	0.4	Rc3/4	155	87	99	32	146	71	318.5	121	112	90	140	120	8×10	8	132	18
	20UPD07Z	0.75	Rc3/4	167	87	99	32	146	80	349.5	140	125	100	155	125	10×12	8	147	27
	25UPD04Z	0.4	Rc1	154	96	107	35	159	71	322.5	121	112	90	140	120	8×10	8	132	19
	25UPD07Z	0.75	Rc1	166	96	107	35	159	80	353.5	140	125	100	155	125	10×12	8	147	28
	25UPD15Z	1.5	Rc1	184.5	96	107	35	159	90	386.5	154.5	140	125	176	149	10×12	10	156	31
	32UPD07Z	0.75	Rc1 1/4	163	105	117	38	175	80	360.5	140	125	100	155	125	10×8	8	147	30
	32UPD15Z	1.5	Rc1 1/4	181.5	105	117	38	175	90	393.5	154.5	140	125	176	149	10×12	10	156	33
	40UPD22ZE	2.2	Rc1 1/2	191	110	120	40	183	100	458	207	160	140	200	168	12×14	12	167.5	44
	50UPD22ZE	2.2	Rc2	189	118	128	43	196	100	461	207	160	140	200	168	12×14	12	167.5	47
50UPD37ZE	3.7	Rc2	207	118	128	43	196	112	458	186	190	140	220	168	12×14	12	186.5	57	
SPIM(*2)	15UPD02S	0.2	Rc1/2	154	83	93	30	135	71	291	97	112	90	150	110	7×20	3.2	86	14
	20UPD04S	0.4	Rc3/4	176.5	87	99	32	146	80	327.5	108.5	125	100	167	125	10×17	3.2	72	22
	25UPD04S	0.4	Rc1	175.5	96	107	35	159	80	331.5	108.5	125	100	167	125	10×17	3.2	72	23
ISM(*3)	15UPD04A	0.4	Rc1/2	149	83	93	30	135	71	309	121	112	90	140	120	7	8	171	21
	20UPD04A	0.4	Rc3/4	155	87	99	32	146	71	318.5	121	112	90	140	120	7	8	171	25
	20UPD07A	0.75	Rc3/4	167	87	99	32	146	80	349.5	140	125	100	155	125	10	8	181	34
	25UPD04A	0.4	Rc1	154	96	107	35	159	71	322.5	121	112	90	140	120	7	8	171	26
	25UPD07A	0.75	Rc1	166	96	107	35	159	80	353.5	140	125	100	155	125	10	8	181	35
	32UPD07A	0.75	Rc1 1/4	163	105	117	38	175	80	360.5	140	125	100	155	125	10	8	181	37

-Remarks-

- Threaded counter flange in accordance with JIS 5K standard.
- Threaded counter flange with rhombus shape in accordance with Nikuni's standard for 15UPD model.

*1 Motor for 0.75kW or greater sizes is complied with IE3 standard.