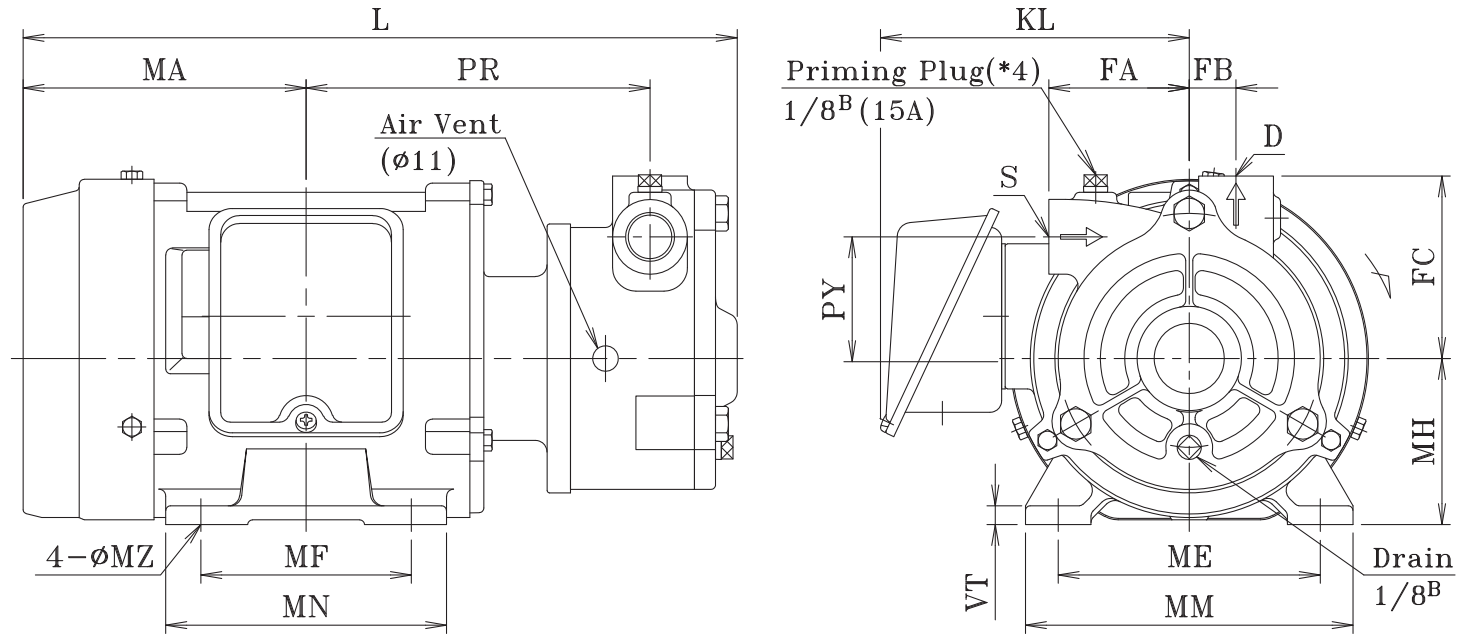
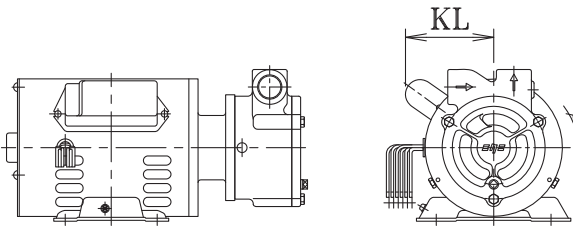


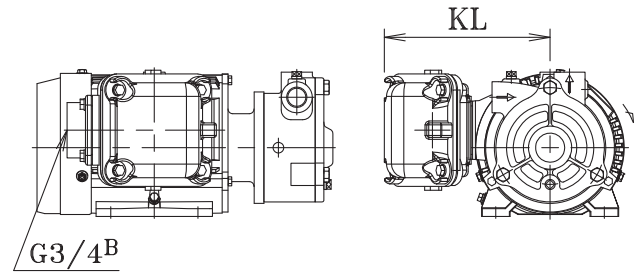
# Totally enclosed fan-cooled (IE3)(\*1)



## Single phase, open drip proof(\*2)



## Increased safety explosion proof(\*3)



## Dimension and Weights

(Unit:mm,kg)

|           | Model    | kW   | S·D   | PR    | PY | FA | FB | FC | MH | L     | MA    | ME  | MF  | MM  | MN  | MZ    | VT  | KL  | Weight |
|-----------|----------|------|-------|-------|----|----|----|----|----|-------|-------|-----|-----|-----|-----|-------|-----|-----|--------|
| TEFCM(*1) | 15UND04Z | 0.4  | Rc1/2 | 147   | 52 | 60 | 20 | 78 | 71 | 305   | 121   | 112 | 90  | 140 | 120 | 8×10  | 8   | 132 | 14     |
|           | 20UND04Z | 0.4  | Rc3/4 | 151   | 66 | 50 | 22 | 85 | 71 | 313   | 121   | 112 | 90  | 140 | 120 | 8×10  | 8   | 132 | 15     |
|           | 25UND07Z | 0.75 | Rc1   | 158.5 | 72 | 60 | 26 | 95 | 80 | 347.5 | 140   | 125 | 100 | 155 | 125 | 10×12 | 8   | 147 | 25     |
| SPIM(*2)  | 15UND02S | 0.2  | Rc1/2 | 152   | 52 | 60 | 20 | 78 | 71 | 286   | 97    | 112 | 90  | 150 | 110 | 7×20  | 3.2 | 86  | 14     |
|           | 20UND04S | 0.4  | Rc3/4 | 172.5 | 66 | 50 | 22 | 85 | 80 | 322   | 108.5 | 125 | 100 | 167 | 125 | 10×17 | 3.2 | 72  | 19     |
| ISM(*3)   | 15UND04A | 0.4  | Rc1/2 | 147   | 52 | 60 | 20 | 78 | 71 | 305   | 121   | 112 | 90  | 140 | 120 | 7     | 8   | 171 | 21     |
|           | 20UND04A | 0.4  | Rc3/4 | 151   | 66 | 50 | 22 | 85 | 71 | 313   | 121   | 112 | 90  | 140 | 120 | 7     | 8   | 171 | 22     |
|           | 25UND07A | 0.75 | Rc1   | 158.5 | 72 | 60 | 26 | 95 | 80 | 347.5 | 140   | 125 | 100 | 155 | 125 | 10    | 8   | 181 | 32     |

-Remarks-

\*1 Motor for 0.75kW or greater sizes is complied with IE3 standard.

\*2 Plug is not available for 20A & 25A models.