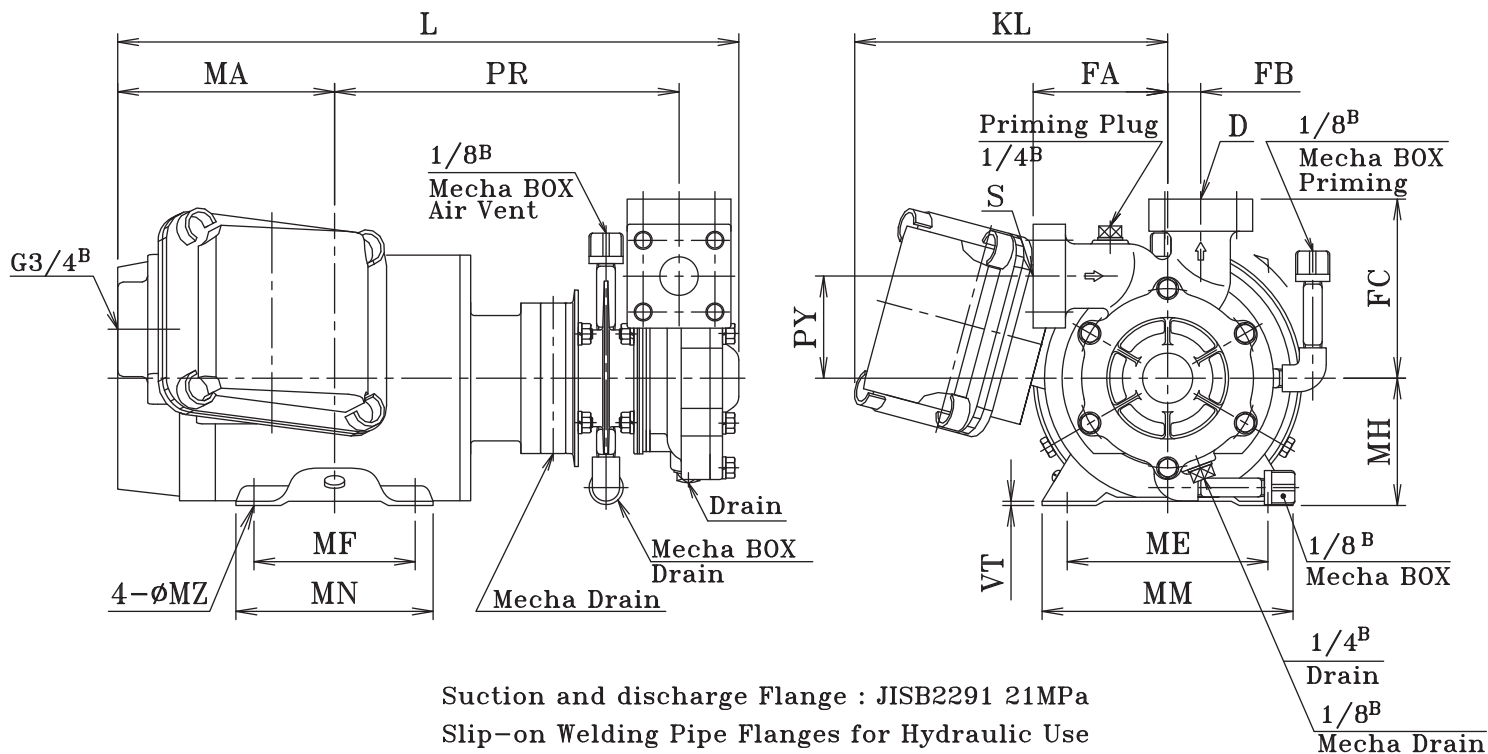
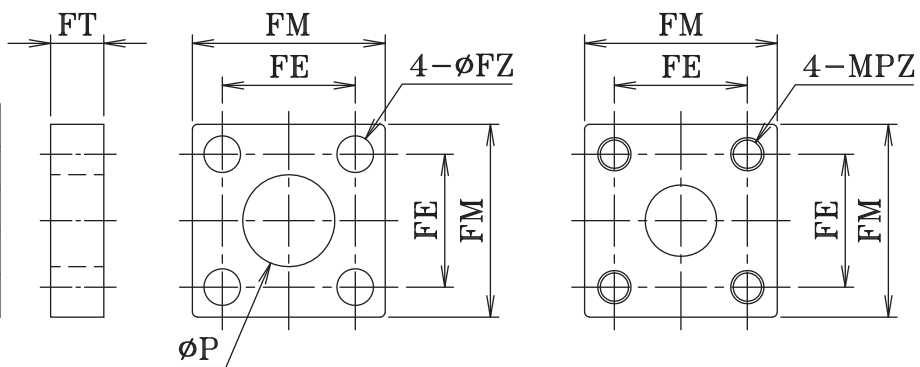


Increased safety explosion proof(*1)



Flange Dimension (Unit:mm)

Model	FE	FM	FT	FZ	PZ	P
20TFD04	40	58	16	11	10	27.7
25TFD07	48	68	16	13	12	34.5
25TFD15	48	68	16	13	12	34.5
32TFD15	56	76	18	13	12	43.2



Suction and discharge Companion Flange

Suction and discharge Flange

Dimension and Weights

(Unit:mm,kg)

Model	kW	S·D	PR	PY	FA	FB	FC	MH	L	MA	ME	MF	MM	MN	MZ	VT	KL	Weight
ISEP*1 20TFD04A	0.56	20A	192	57	75	18.5	100	71	346	121	112	90	140	110	7×8	2.3	175	15
25TFD07A	0.975	25A	188.5	68	85	23	110	80	361.5	133	125	100	155	125	10	8	181	28
25TFD15A	1.95	25A	211.5	68	85	23	110	90	410	158.5	140	125	176	150	10	10	195	35.5
32TFD15A	1.95	32A	215	76	100	28	130	90	411.5	158.5	140	125	176	150	10	10	195	36.5

-Remarks-