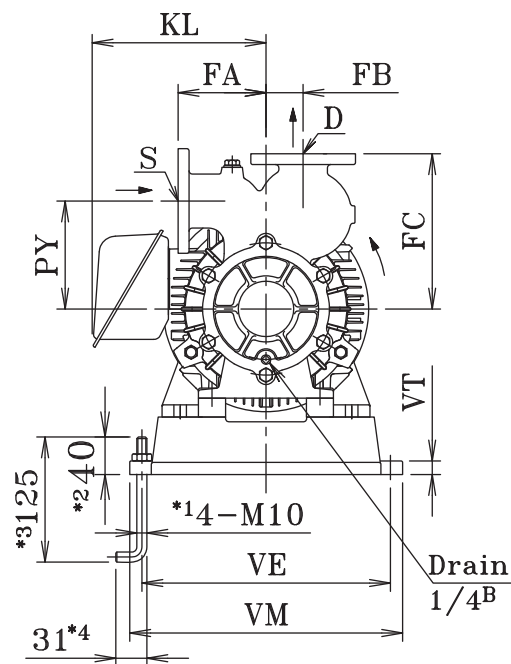
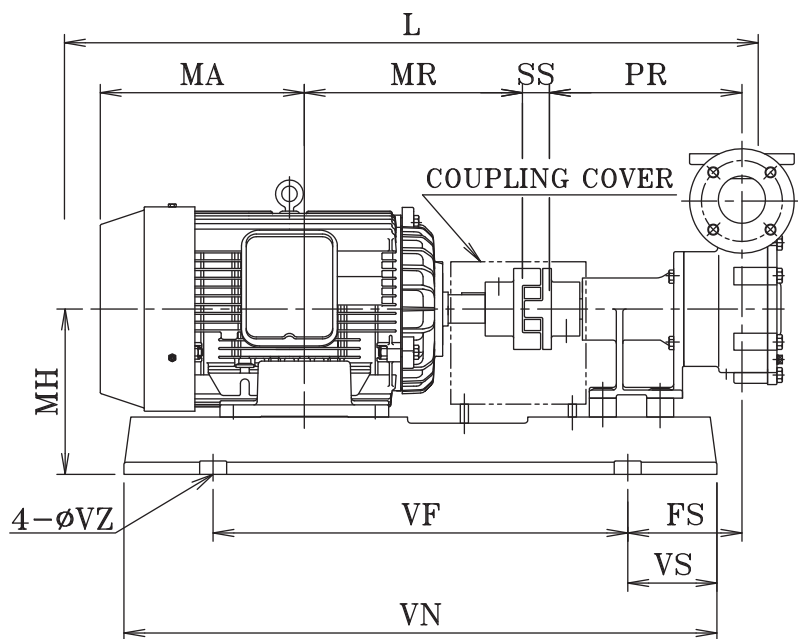


Totally enclosed fan-cooled (IE3)(*1)



Dimension and Weights

(Unit:mm,kg)

Model	kW	S	D	PR	PY	FA	FB	FS	FC	MH	L	MA	MR	SS	VE	VF	VM	VN	VS	VT	VZ	KL	Weight
50SP-1	2.2	50A	50A	285	160	130	55	182	230	190	757.5	178	193	24	280	300	310	570	135	15	12	156	87
	3.7	50A	50A	285	160	130	55	182	230	202	772.5	186	200	24	280	300	310	570	135	15	12	175	97
	5.5	50A	50A	285	160	130	55	150	230	204	836	210.5	239	24	324	448	352	690	121	20	12	212	124
	7.5	50A	50A	285	160	130	55	160	230	204	874	229.5	258	24	324	448	352	690	121	20	12	212	135
	11	50A	50A	285	160	130	55	169	230	245	1015.5	290	323	40	368	614	404	878	132	20	15	279.5	184
50SP-2	3.7	50A	50A	285	170	130	55	182	240	202	772.5	186	200	24	280	300	310	570	135	15	12	175	101
50SP-2 50SP-3	5.5	50A	50A	285	170	130	55	150	240	204	836	210.5	239	24	324	448	352	690	121	20	12	212	128
	7.5	50A	50A	285	170	130	55	160	240	204	874	229.5	258	24	324	448	352	690	121	20	12	212	139
	11	50A	50A	285	170	130	55	169	240	245	1015.5	290	323	40	368	614	404	878	132	20	15	279.5	188
	15	50A	50A	285	170	130	55	169	240	245	1015.5	268	345	40	368	614	404	878	132	20	15	279.5	205
	18.5	50A	50A	285	170	130	55	169	240	265	1041	287	351.5	40	368	614	404	878	132	20	15	345	272

-Remarks-

- Dimensions and weights shown in above table reflected to Totally Enclosed Fan Cooled type motor. Values will be slightly different when other type of motor is being used.
- Size of the foundation bolts for 11 kW or greater sizes is M12 (*1), and dimensions for *2 is 40mm, *3 is 150mm and *4 is 38mm in that case.
- Suction and discharge flanges are in accordance with JIS 10 K standard.