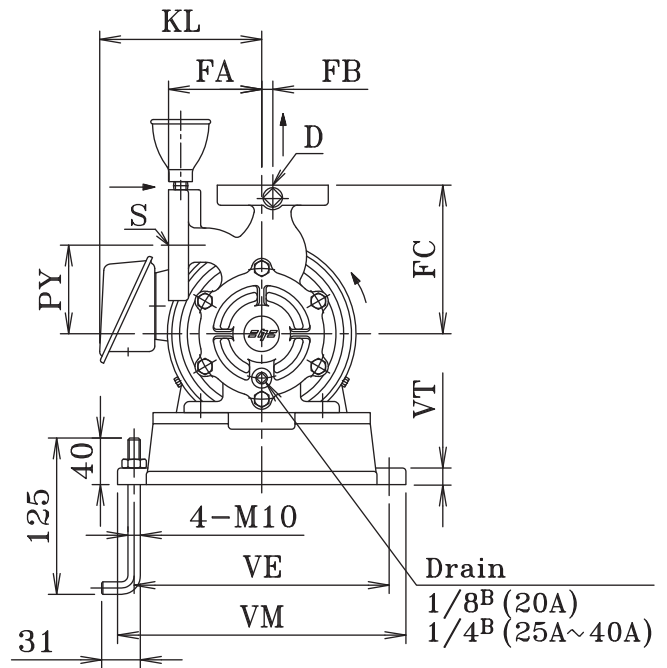
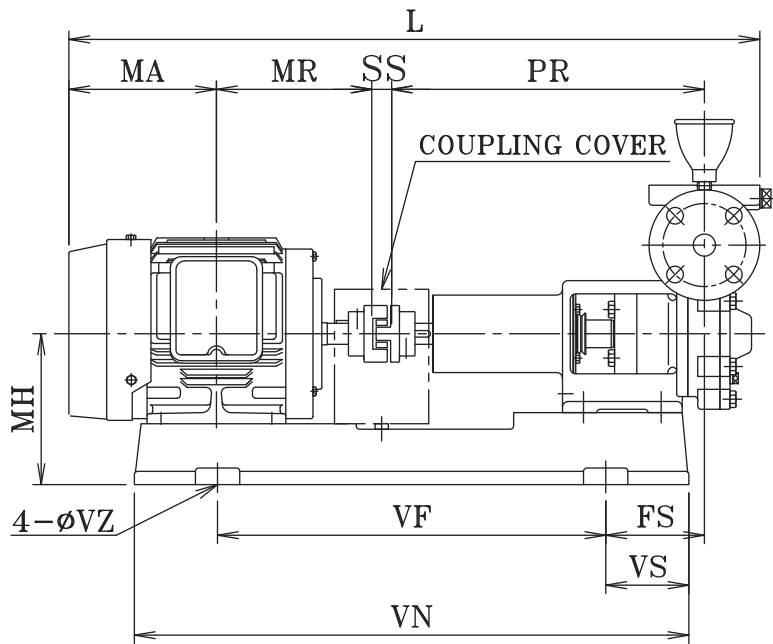


Totally enclosed fan-cooled (IE3)(*1)



Dimension and Weights

(Unit:mm,kg)

Model	kW	S	D	PR	PY	FA	FB	FS	FC	MH	L	MA	MR	SS	VE	VF	VM	VN	VS	VT	VZ	KL	Weight
20SP	0.2	20A	20A	282	80	84	10	89	134	128	562	109	103	18	230	350	260	500	75	15	12	-	27
	0.4	20A	20A	282	80	84	10	89	134	126	591	121	120	18	230	350	260	500	75	15	12	-	28
25SP	0.4	25A	25A	284	95	94	15	85	159	145	605.5	121	120	18	230	350	260	500	75	15	12	-	33
	0.75	25A	25A	284	95	94	15	91	159	145	644.5	140	140	18	230	350	260	500	75	15	12	146	43
	1.5	25A	25A	284	95	94	15	100	159	155	689.5	154.5	168.5	20	280	425	310	613	94	25	12	156	51
32SP	0.75	32A	32A	285	100	99	20	92	169	145	650.5	140	140	18	230	350	260	500	75	15	12	146	45
	1.5	32A	32A	285	100	99	20	100	169	155	695.5	154.5	168.5	20	280	425	310	613	94	25	12	156	53
	2.2	32A	32A	285	100	99	20	100	169	165	743.5	178	193	20	280	425	310	613	94	25	12	156	62
40SP-1	0.75	40A	40A	325	120	114	20	110	194	170	694	140	140	20	280	425	310	616	95.5	25	12	146	57
	1.5	40A	40A	325	120	114	20	115	194	165	737	154.5	168.5	20	280	425	310	613	94	25	12	156	60
	2.2	40A	40A	325	120	114	20	115	194	165	785	178	193	20	280	425	310	613	94	25	12	156	68
	3.7	40A	40A	325	120	114	20	130	194	184	800	186	200	20	324	448	354	690	121	25	12	175	85
40SP-2	1.5	40A	40A	325	120	114	20	115	194	165	737	154.5	168.5	20	280	425	310	613	94	25	12	156	61
	2.2	40A	40A	325	120	114	20	115	194	165	785	178	193	20	280	425	310	613	94	25	12	156	68
	3.7	40A	40A	325	120	114	20	130	194	184	800	186	200	20	324	448	354	690	121	25	12	175	86
	5.5	40A	40A	325	120	114	20	130	194	204	867.5	210.5	239	24	324	448	354	690	121	25	12	212	110

-Remarks-

- Dimensions and weights shown in above table reflected to Totally Enclosed Fan Cooled type motor. Values will be slightly different when other type of motor is being used.
- Suction and discharge flanges are in accordance with JIS 10 K standard.