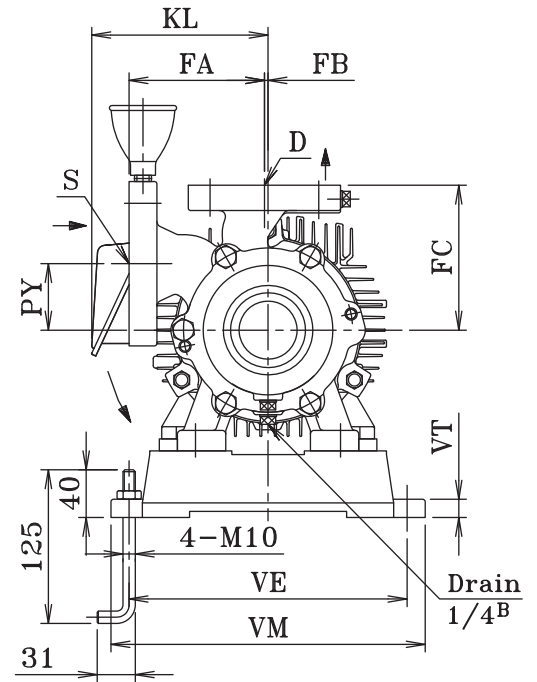
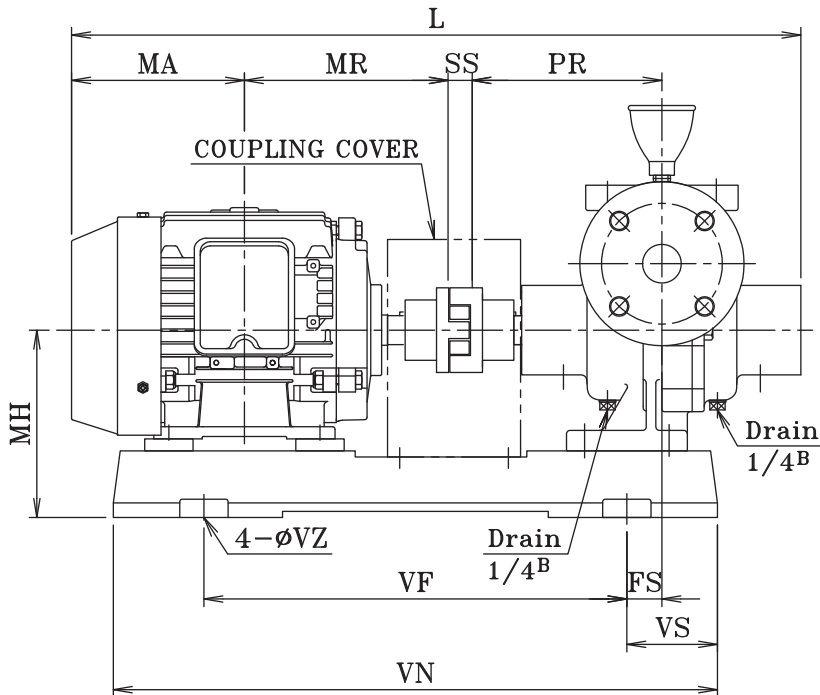


Totally enclosed fan-cooled (IE3)(*1)

Totally enclosed fan cooling (IE3)



Dimension and Weights

(Unit:mm,kg)

Model	kW	S	D	PR	PY	FA	FB	FS	FC	MH	L	MA	MR	SS	VE	VF	VM	VN	VS	VT	VZ	KL	Weight
25SN	1.5	25A	20A	157	55	105	0	29	110	145	615	154.5	168.5	20	230	350	260	500	75	15	12	156	45
	2.2	25A	20A	157	55	105	0	29	110	145	615	154.5	168.5	20	230	350	260	500	75	15	12	156	49.5
	3.7	25A	20A	157	55	105	0	1	110	180	678	186	200	20	280	425	310	616	95.5	25	12	175	65
32SN	2.2	32A	25A	157	55	112	3	29	120	155	615	154.5	168.5	20	230	350	260	500	75	15	12	156	53.5
	3.7	32A	25A	157	55	112	3	49	120	177	678	186	200	20	280	425	310	610	92.5	25	12	175	68
	5.5	32A	25A	157	55	112	3	14	120	204	752.5	210.5	239	31	324	448	354	690	121	25	12	212	101
40SN	3.7	40A	32A	157	70	120	5	49	140	177	678	186	200	20	280	425	310	610	92.5	25	12	175	69
	5.5	40A	32A	157	70	120	5	14	140	204	752.5	210.5	239	31	324	448	354	690	121	25	12	212	100
	7.5	40A	32A	157	70	120	5	14	140	204	752.5	210.5	239	31	324	448	354	690	121	25	12	212	105

-Remarks-

- Dimensions and weights shown in above table reflected to Totally Enclosed Fan Cooled type motor. Values will be slightly different when other type of motor is being used.
- Suction and discharge flanges are in accordance with JIS 20 K standard.