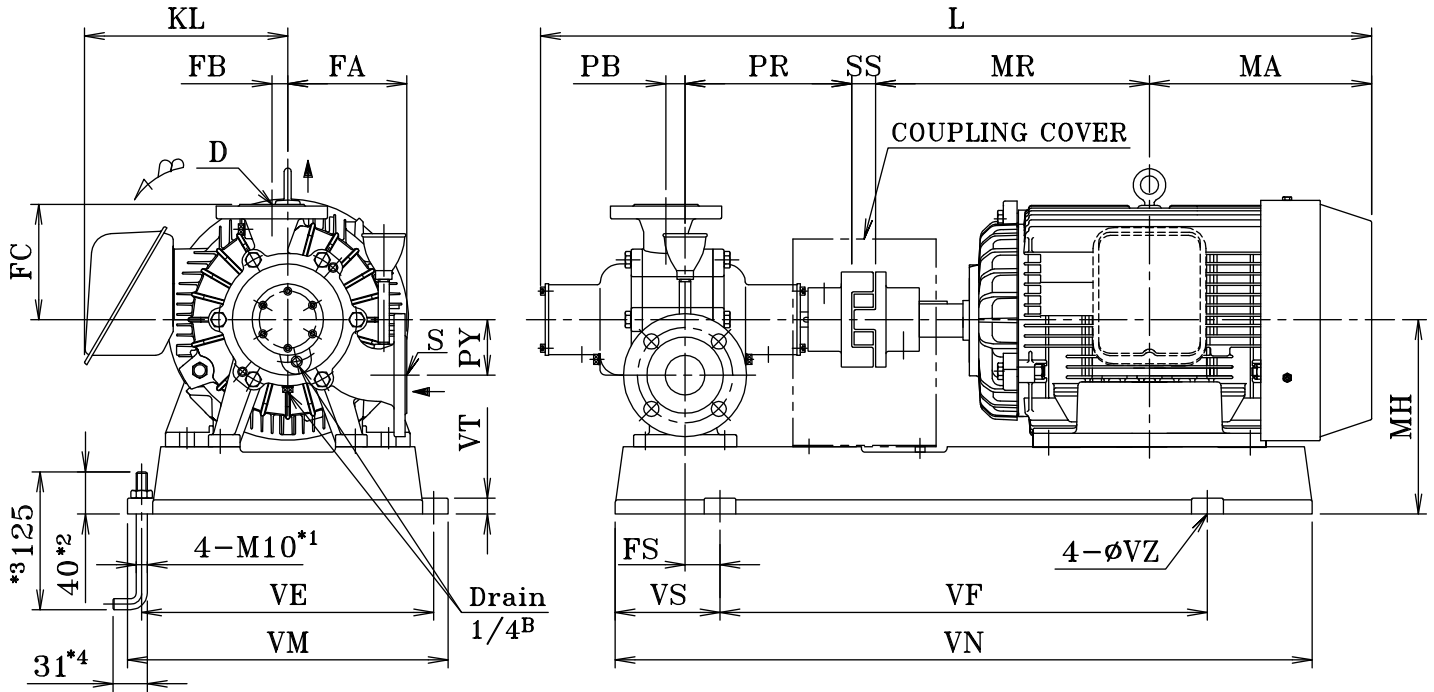


Totally enclosed fan-cooled (IE3)(*1)



Dimension and Weights

(Unit:mm,kg)

Model	kW	S	D	PR	PY	FA	FB	FS	PB	FC	MH	L	MA	MR	SS	VE	VF	VM	VN	VS	VT	VZ	KL	Weight
25SNWF	2.2	25A	20A	198.5	45	115	13	-9	30.5	110	180	723	154.5	168.5	20	280	425	310	615	95	25	12	156	59.5
	3.7	25A	20A	198.5	45	115	13	16	30.5	110	177	786	186	200	20	280	425	310	609	92	25	12	175	66
	5.5	25A	20A	198.5	45	115	13	46	30.5	110	204	853.5	210.5	239	24	324	448	354	690	121	25	12	212	99
32SNWF	3.7	32A	25A	198	45	125	15	16	29.5	120	185	786	186	200	20	280	425	310	609	92	25	12	175	71
	5.5	32A	25A	198	45	125	15	46	29.5	120	204	853.5	210.5	239	24	324	448	354	690	121	25	12	212	101
	7.5	32A	25A	198	45	125	15	46	29.5	120	204	853.5	210.5	239	24	324	448	354	690	121	25	12	212	106
	11	32A	25A	198	45	125	15	44	29.5	120	245	1033	290	323	40	368	614	404	878	132	20	15	279.5	162
40SNWF	5.5	40A	32A	197	45	130	15	45	28	125	204	853.5	210.5	239	24	324	448	354	690	121	25	12	212	109
	7.5	40A	32A	197	45	130	15	45	28	125	204	853.5	210.5	239	24	324	448	354	690	121	25	12	212	114
	11	40A	32A	197	45	130	15	43	28	125	245	1033	290	323	40	368	614	404	878	132	20	15	279.5	169
	15	40A	32A	197	45	130	15	43	28	125	245	1033	290	323	40	368	614	404	878	132	20	15	279.5	183
50SNWF	11	50A	40A	210	70	150	20	44	24	145	453	1035	290	323	30	368	614	404	878	132	20	15	279.5	164
	15	50A	40A	210	70	150	20	44	24	145	453	1035	290	323	30	368	614	404	878	132	20	15	279.5	178
	18.5	50A	40A	210	70	150	20	44	24	145	453	1035	268	345	30	368	614	404	878	132	20	15	279.5	195

-Remarks-

- Dimensions and weights shown in above table reflected to Totally Enclosed Fan Cooled type motor. Values will be slightly different when other type of motor is being used.
- * Size of the foundation bolts for 11 kW or greater sizes is M12 (*1), and dimensions for *2 is 40mm, *3 is 150mm and *4 is 38mm in that case.
- Suction flange is in accordance with JIS 10 K standard.
- Discharge flange is in accordance with JIS 20 K standard.