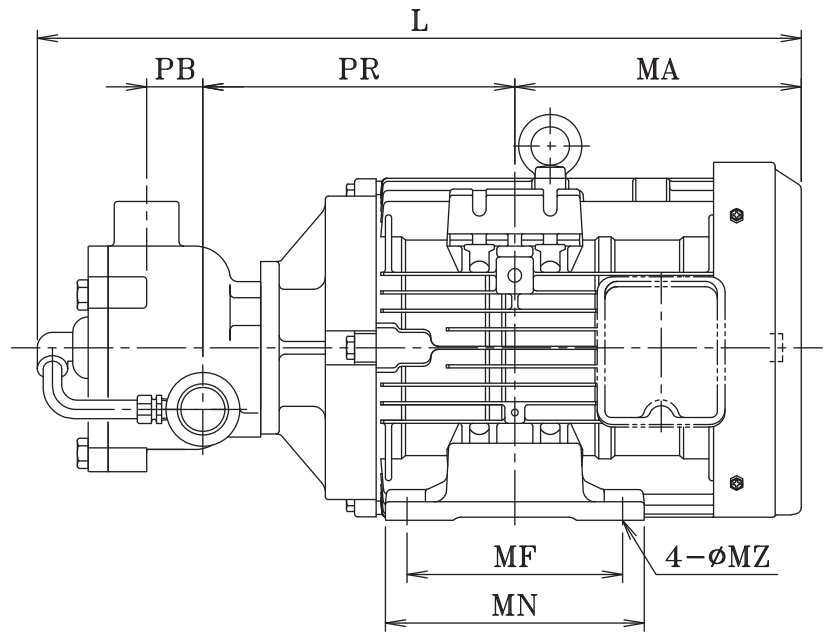
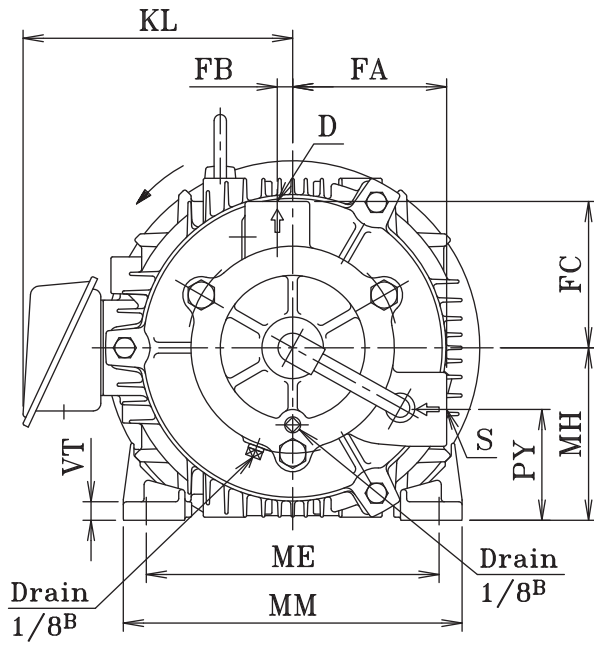


Totally enclosed fan-cooled (IE3)(\*1)



Dimension and Weights

(Unit:mm,kg)

	Model	kW	S	D	PB	PR	PY	FA	FB	FC	MH	L	MA	ME	MF	MM	MN	MZ	VT	KL	Weight
TEFC*1	20NWD22Z	2.2	Rc3/4	Rc1/2	33	170.5	50	90	10	90	90	454	183.5	140	125	176	149	10×12	10	156	30
	25NWD37Z	3.7	Rc1	Rc3/4	36.5	202.5	72	100	10	95	112	496	186	190	140	220	168	12×14	12	175	49

-Remarks-