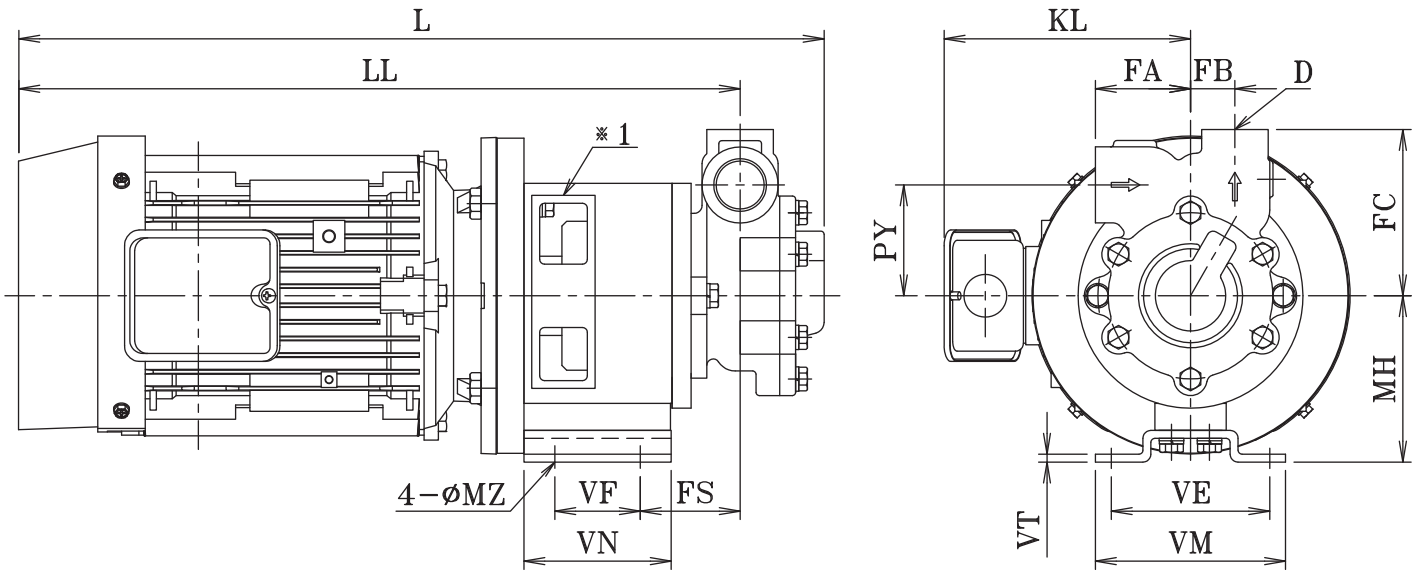


Totally enclosed fan-cooled (IE3)(\*1)



## Dimension and Weights

(Unit:mm,kg)

MODEL	kW	S	D	LL	PY	FA	FB	FC	MH	FS	L	VE	VF	VM	VN	MZ	VT	KL	Weight
20NLMS04Z	0.4	Rc3/4	Rc1/2	342	63	50	25	95	88	31.5	391	100	54	120	93	10	5	-	15
20NLMS07Z	0.75	Rc3/4	Rc1/2	372	63	50	25	95	105	45	421	100	54	120	93	10	5	145	25.5
20NLMS15Z	1.5	Rc3/4	Rc1/2	426.5	63	50	25	95	105	63	475.5	100	54	120	93	10	5	156	32
20NLMS22Z	2.2	Rc3/4	Rc1/2	455.5	63	50	25	95	105	80	504.5	100	54	120	127	10	5	156	36
25NLMS07Z	0.75	Rc1	Rc3/4	372	70	60	28	105	105	51	425	100	54	120	93	10	5	145	28
25NLMS15Z	1.5	Rc1	Rc3/4	426.5	70	60	28	105	105	63	479.5	100	54	120	93	10	5	156	34.5
25NLMS22Z	2.2	Rc1	Rc3/4	455.5	70	60	28	105	105	80	508.5	100	54	120	127	10	5	156	38.5
32NLMS15Z	1.5	Rc1 1/4	Rc1	434.5	80	65	35	120	105	71	491.5	100	54	120	93	10	5	156	36.5
32NLMS22Z	2.2	Rc1 1/4	Rc1	463.5	80	65	35	120	105	80	520.5	100	54	120	93	10	5	156	40.5

-Remarks-

Values of KL, L, LL are for reference purpose only. Dimensions for NLMB and NLMS are identical.

\*1 Motor for 0.75kW or greater sizes is complied with IE3 standard.