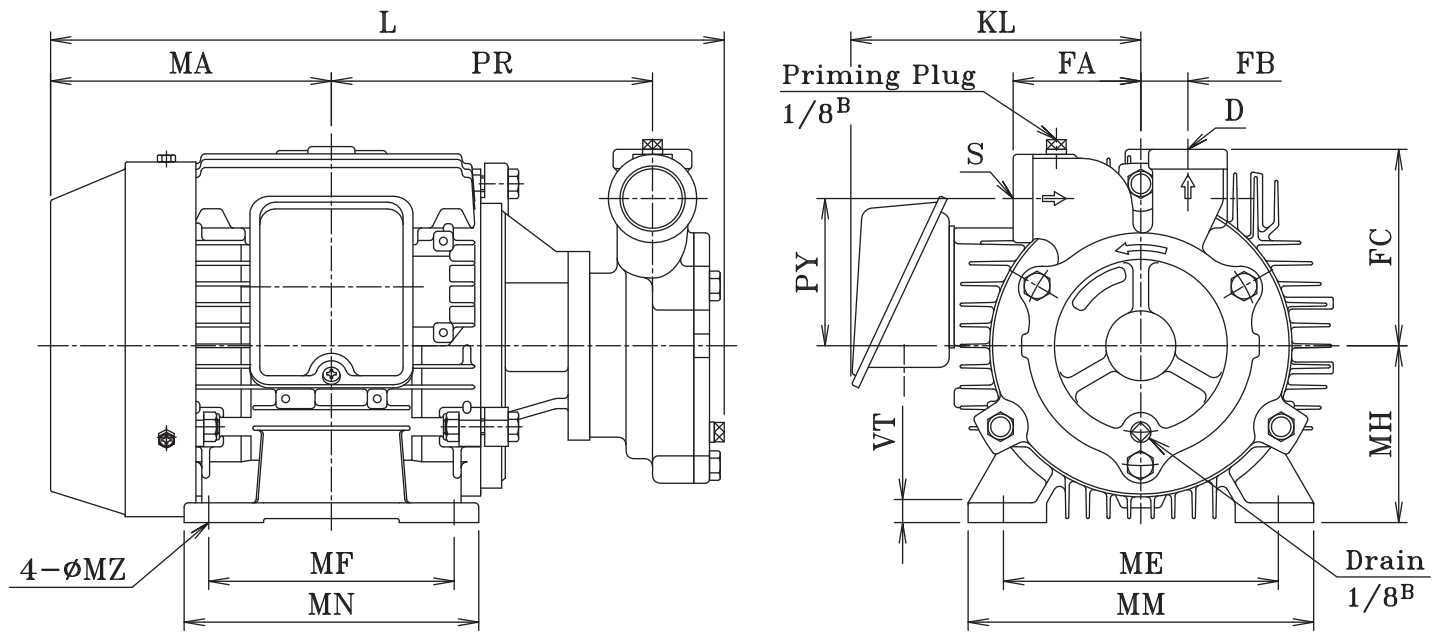
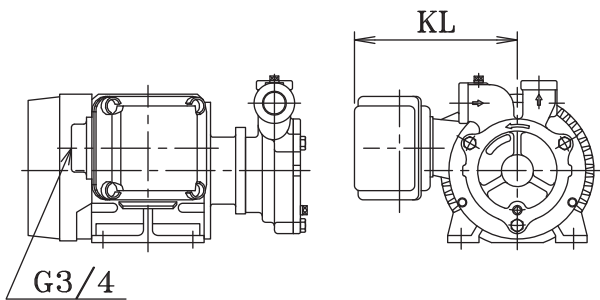


Totally enclosed fan-cooled (IE3)(\*1)



Single phase, open drip proof(\*2)



Dimension and Weights (\*3)

(Unit:mm,kg)

	Model	kW	S	D	PR	PY	FA	FB	FC	MH	L	MA	ME	MF	MM	MN	MZ	VT	KL	Weight
TEFC*1	20NHD07Z-V	0.975	Rc3/4	Rc1/2	140.5	75	65	24	100	80	325	148	125	100	165	130	10×8	4.5	146	23
	25NHD15Z-V	1.95	Rc1	Rc3/4	163.5	75	65	24	100	90	354.5	154.5	140	125	176	149	10×12	10	156	28
ISEP*2	20NHD07A-V	0.975	Rc3/4	Rc1/2	140.5	75	65	24	100	80	310	133	125	100	155	125	10	8	181	21
	25NHD15A-V	1.95	Rc1	Rc3/4	163.5	75	65	24	100	90	358.5	158.5	140	125	176	150	10	10	195	30.5

-Remarks-

\*3 Actual output power value for Extra-loaded corresponded motor.