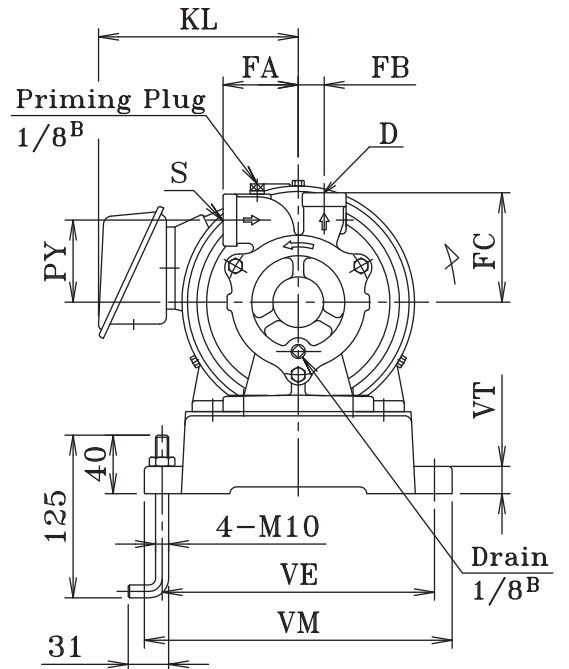
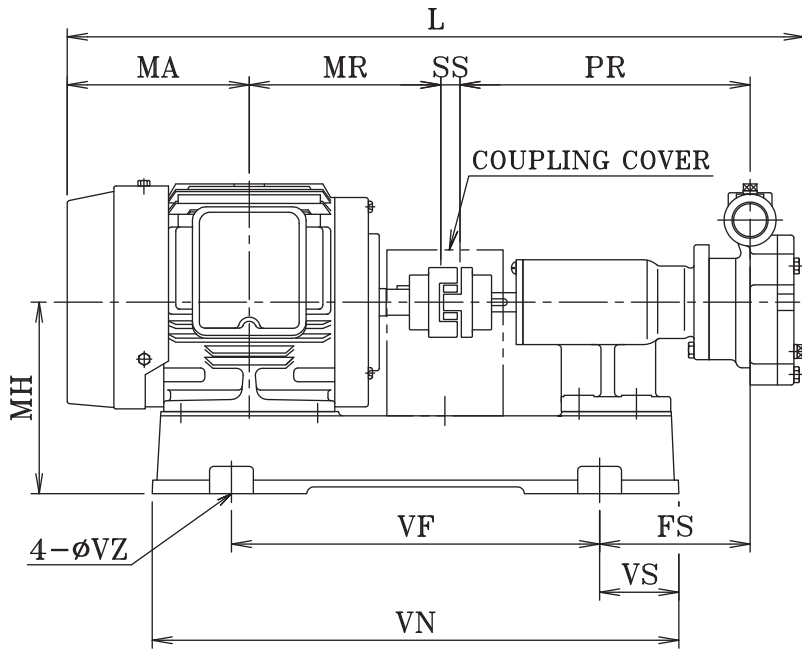


Totally enclosed fan-cooled (IE3)(*1)



Dimension and Weights

(Unit:mm,kg)

| Model | kW | S | D | PR | PY | FA | FB | FS | FC | MH | L | MA | MR | SS | VE | VF | VM | VN | VS | VT | VZ | KL | Weight |
|--------|------|---------|---------|-----|----|----|----|-----|-----|-----|-----|-------|-------|----|-----|-----|-----|-----|------|----|----|-----|--------|
| 15KH | 0.4 | Rc1/2 | Rc3/8 | 212 | 60 | 55 | 19 | 108 | 80 | 130 | 503 | 121 | 120 | 14 | 184 | 245 | 210 | 357 | 56 | 20 | 12 | - | 20 |
| 20KH-1 | 0.75 | Rc3/4 | Rc1/2 | 212 | 60 | 55 | 19 | 110 | 80 | 140 | 524 | 122 | 140 | 14 | 199 | 269 | 225 | 385 | 58 | 20 | 12 | 146 | 27 |
| 20KH-2 | 1.5 | Rc3/4 | Rc1/2 | 220 | 75 | 65 | 24 | 125 | 100 | 150 | 596 | 154.5 | 168.5 | 18 | 214 | 300 | 240 | 430 | 65 | 20 | 12 | 156 | 37 |
| 25KH | 2.2 | Rc1 | Rc3/4 | 220 | 75 | 65 | 24 | 125 | 100 | 150 | 596 | 154.5 | 168.5 | 18 | 214 | 300 | 240 | 430 | 65 | 20 | 12 | 156 | 42.5 |
| 32KH | 2.2 | Rc1 1/4 | Rc1 | 235 | 85 | 80 | 27 | 120 | 115 | 145 | 611 | 154.5 | 168.5 | 20 | 230 | 350 | 260 | 500 | 75 | 15 | 12 | 156 | 46.5 |
| | 3.7 | Rc1 1/4 | Rc1 | 235 | 85 | 80 | 27 | 79 | 115 | 180 | 674 | 186 | 200 | 20 | 280 | 425 | 310 | 616 | 95.5 | 25 | 12 | 175 | 63 |
| 40KH | 3.7 | Rc1 1/2 | Rc1 1/4 | 234 | 90 | 80 | 32 | 78 | 123 | 180 | 676 | 186 | 200 | 20 | 280 | 425 | 310 | 616 | 95.5 | 25 | 12 | 175 | 65 |

-Remarks-

Dimensions and weights shown in above table reflected to Totally Enclosed Fan Cooled type motor. Values will be slightly different when other type of motor is being used.

*1 Motor for 0.75kW or greater sizes is complied with IE3 standard.