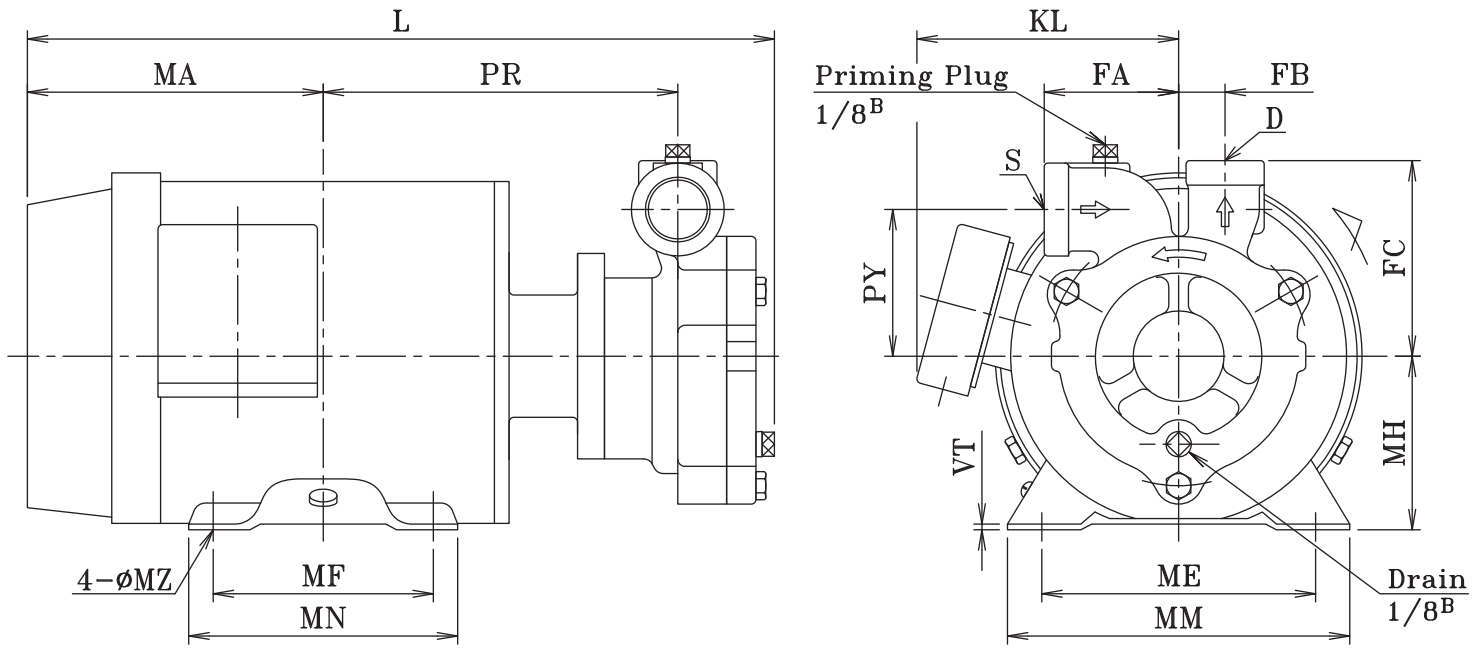
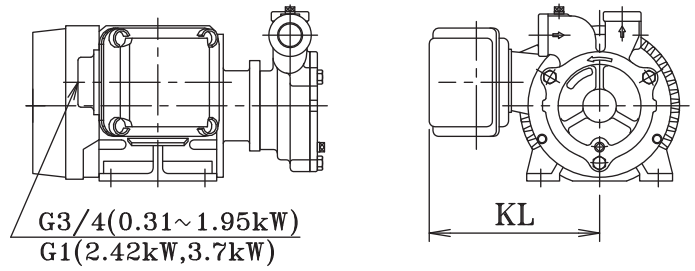
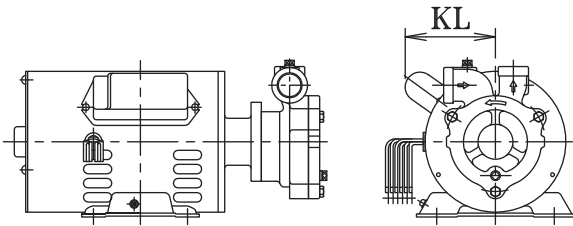


Totally enclosed fan-cooled (IE3)(\*1)



Single phase, open drip proof(\*2)

Increased safety explosion proof(\*3)



Dimension and Weights (\*4)

(Unit:mm,kg)

	Model	kW	S	D	PR	PY	FA	FB	FC	MH	L	MA	ME	MF	MM	MN	MZ	VT	KL	Weight
TEFC*1	15KHD02Z	0.31	Rc1/2	Rc3/8	145	60	55	19	80	71	306	121	112	90	140	110	7×8	2.3	107	11.5
	15KHD04Z	0.56	Rc1/2	Rc3/8	145	60	55	19	80	71	306	121	112	90	140	110	7×8	2.3	107	12
	20KHD04Z	0.56	Rc3/4	Rc1/2	145	60	55	19	80	71	306	121	112	90	140	110	7×8	2.3	107	13
	20KHD07Z	0.975	Rc3/4	Rc1/2	140.5	75	65	24	100	80	325	148	125	100	165	130	10×8	4.5	146	23
	25KHD15Z	1.95	Rc1	Rc3/4	163.5	75	65	24	100	90	354.5	154.5	140	125	176	149	10×12	10	156	28
	32KHD22Z	2.42	Rc1 1/4	Rc1	168.5	85	80	27	115	90	392.5	183.5	140	125	176	149	10×12	10	156	33
	40KHD37Z	3.7	Rc1 1/2	Rc1 1/4	201	90	80	32	123	112	430.5	186	190	140	220	168	12×14	12	175	44
SPIM*2	15KHD02S	0.3	Rc1/2	Rc3/8	145	60	55	19	80	71	282.5	98	112	90	150	110	7×20	3.2	86	13
	15KHD04S	0.56	Rc1/2	Rc3/8	158.5	60	55	19	80	80	313	115	125	100	167	125	10×17	3.2	91	14
	20KHD04S	0.56	Rc3/4	Rc1/2	158.5	60	55	19	80	80	313	115	125	100	167	125	10×17	3.2	91	16
ISEP*3	15KHD02A	0.31	Rc1/2	Rc3/8	145	60	55	19	80	71	306	121	112	90	140	110	7×8	2.3	175	12.5
	15KHD04A	0.56	Rc1/2	Rc3/8	145	60	55	19	80	71	306	121	112	90	140	110	7×8	2.3	175	12.5
	20KHD04A	0.56	Rc3/4	Rc1/2	145	60	55	19	80	71	306	121	112	90	140	110	7×8	2.3	175	14.5
	20KHD07A	0.975	Rc3/4	Rc1/2	140.5	75	65	24	100	80	310	133	125	100	155	125	10	8	181	21
	25KHD15A	1.95	Rc1	Rc3/4	163.5	75	65	24	100	90	358.5	158.5	140	125	176	150	10	10	195	30.5
	32KHD22A	2.42	Rc1 1/4	Rc1	183	85	80	27	115	100	396.5	173	160	140	200	168	12	12	210	40
40KHD37A	3.7	Rc1 1/2	Rc1 1/4	201	90	80	32	123	112	427.5	183	190	140	220	168	12	12	227	51	

Remarks-

Material of the terminal box for Totally Enclosed Fan Cooled motor (0.31 to 0.56kW) is plastic.

\*1 Motor for 0.75kW or greater sizes is complied with IE3 standard.

\*2 Two capacitors are implemented onto 0.56 kW motor. One for starting and another one for running purpose.

\*4 Actual output power value for Extra-loaded corresponded motor.