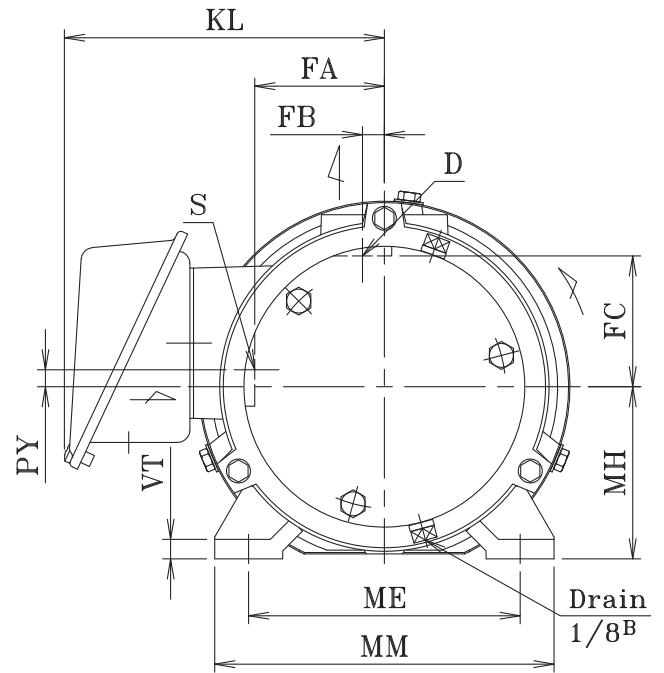
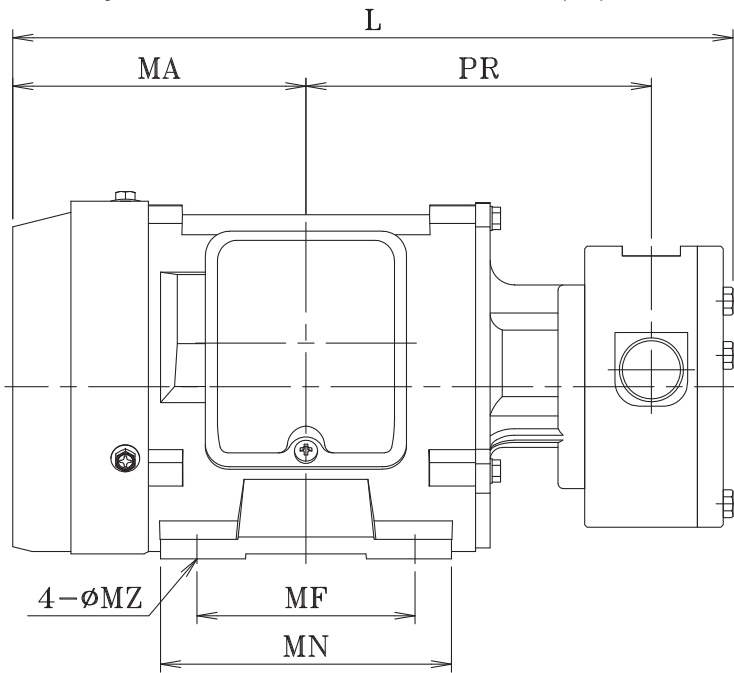
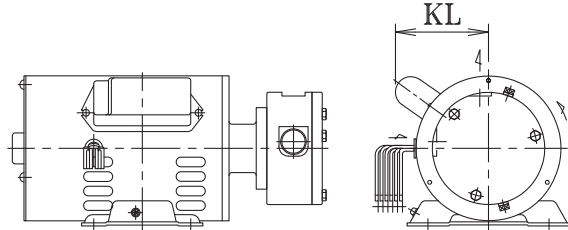


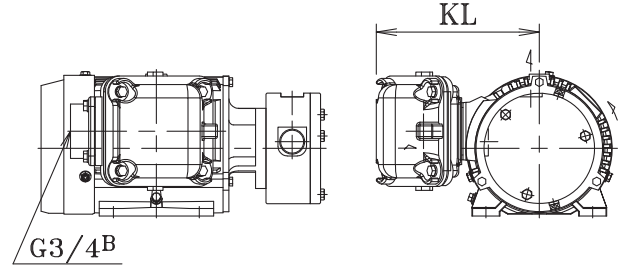
Totally enclosed fan-cooled (IE3)(*1)



Single phase, open drip proof(*2)



Increased safety explosion proof(*3)



Dimension and Weights (*4)

(Unit:mm,kg)

	Model	kW	S	D	PR	PY	FA	FB	FC	MH	L	MA	ME	MF	MM	MN	MZ	VT	KL	Weight
TEFCM(*1)	10JLD02Z	0.31	Rc3/8	Rc3/8	146	9	44	9	44	71	294	121	112	90	140	120	8×10	8	132	11
	15JLD02Z	0.31	Rc1/2	Rc3/8	145	6	49.5	8	50	71	296	121	112	90	140	120	8×10	8	132	12.5
	20JLD04Z	0.56	Rc3/4	Rc1/2	142.5	7	53.5	9	54	71	297	121	112	90	140	120	8×10	8	132	15
	20JLD07Z	0.975	Rc3/4	Rc1/2	136	7	53.5	9	54	80	309.5	140	125	100	155	125	10×12	8	147	21.5
	25JLD07Z	0.975	Rc1	Rc3/4	132.5	6	63	9	63.5	80	310.5	140	125	100	155	125	10×12	8	147	26
	25JLD15Z	1.95	Rc1	Rc3/4	155.5	6	63	9	63.5	90	348	154.5	140	125	176	149	10×12	10	156	30
SPIM(*2)	10JLD02S	0.3	Rc3/8	Rc3/8	146	9	44	9	44	71	271	98	112	90	150	110	7×20	3.2	86	13.5
	15JLD02S	0.3	Rc1/2	Rc3/8	145	6	49.5	8	50	71	273	98	112	90	150	110	7×20	3.2	86	15
	20JLD04S	0.56	Rc3/4	Rc1/2	156	7	53.5	9	54	80	304.5	115	125	100	167	125	10×17	3.2	91	18
ISM(*3)	10JLD02A	0.31	Rc3/8	Rc3/8	146	9	44	9	44	71	294	121	112	90	140	120	7	8	171	19
	15JLD02A	0.31	Rc1/2	Rc3/8	145	6	49.5	8	50	71	296	121	112	90	140	120	7	8	171	21
	20JLD04A	0.56	Rc3/4	Rc1/2	142.5	7	53.5	9	54	71	297	121	112	90	140	120	7	8	171	24
	25JLD07A	0.975	Rc1	Rc3/4	132.5	6	63	9	63.5	80	310.5	140	125	100	155	125	10	8	181	28
	25JLD15A	1.95	Rc1	Rc3/4	155.5	6	63	9	63.5	90	377	183.5	140	125	172	149	10	10	195	41.5

Remarks-

Material of the terminal box for Totally Enclosed Fan Cooled motor (0.31 to 0.56kW) is plastic.

*1 Motor for 0.75kW or greater sizes is complied with IE3 standard.

*2 Two capacitors are implemented onto 0.56 kW motor. One for starting and another one for running purpose.

*4 Actual output power value for Extra-loaded corresponded motor.