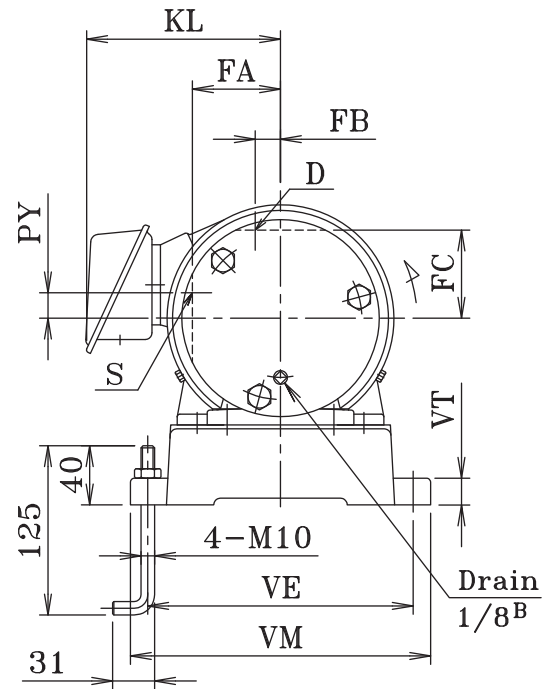
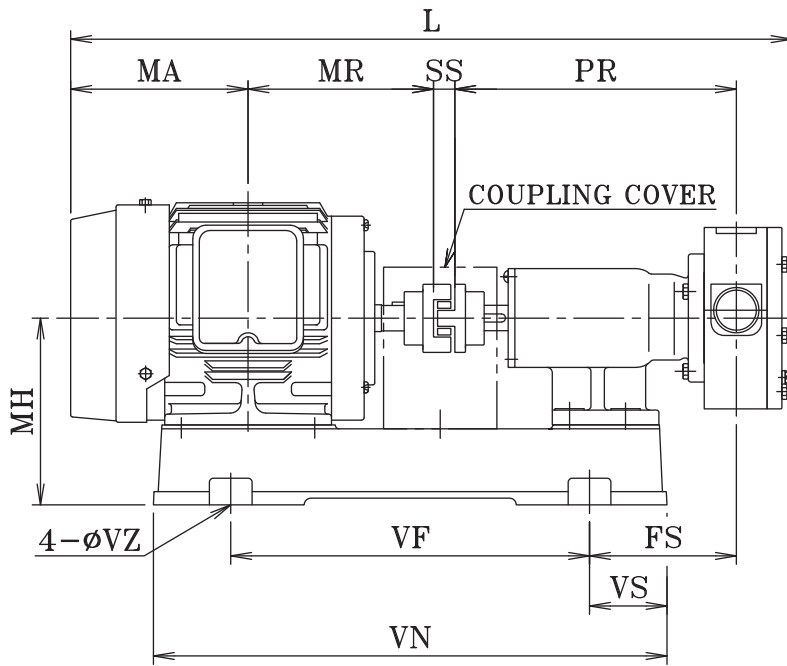


Totally enclosed fan-cooled (IE3)(*1)



Dimension and Weights

(Unit:mm,kg)

Model	kW	S	D	PR	PY	FA	FB	FS	FC	MH	L	MA	MR	SS	VE	VF	VM	VN	VS	VT	VZ	KL	Weight
15JH	0.4	Rc1/2	Rc3/8	218	15	53	15	114	53	130	512	121	120	14	184	245	210	357	56	20	12	-	24
20JH-1	0.75	Rc3/4	Rc1/2	220	19	66	19	118	66	140	535.5	122	140	14	199	269	225	385	58	20	12	146	31
20JH-2	1.5	Rc3/4	Rc1/2	220	19	66	19	125	66	150	601	154.5	168.5	18	214	300	240	430	65	20	12	156	40
25JH	2.2	Rc1	Rc3/4	224	13	77	16	109	78	145	618	154.5	168.5	18	230	350	260	500	75	15	12	156	49.5

-Remarks-

Dimensions and weights shown in above table reflected to Totally Enclosed Fan Cooled type motor. Values will be slightly different when other type of motor is being used.

*1 Motor for 0.75kW or greater sizes is complied with IE3 standard.