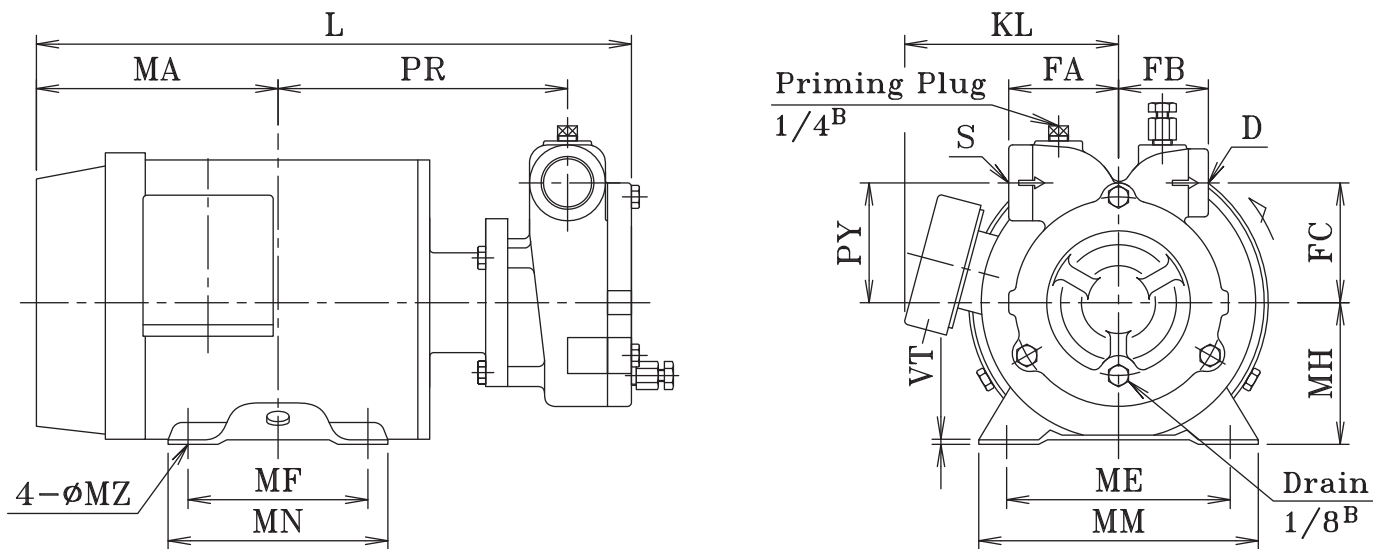
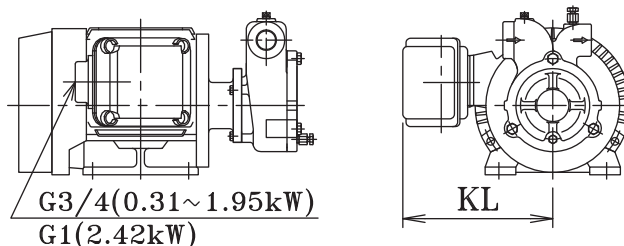
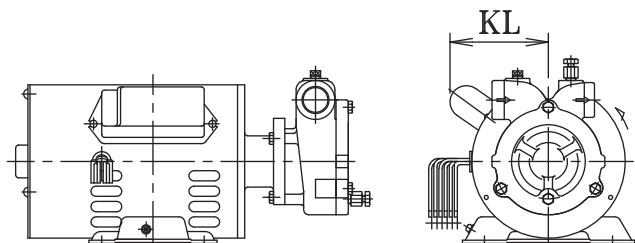


Totally enclosed fan-cooled (IE3)(*1)



Single phase, open drip proof(*2)

Increased safety explosion proof(*3)



Dimension and Weights

(*4)

(Unit:mm,kg)

	Model	kW	S	D	PR	PY	FA	FB	FC	MH	L	MA	ME	MF	MM	MN	MZ	VT	KL	Weight
TEFC*1	20FHD ⁵ / ₆ -02Z-V	0.31	Rc3/4	Rc1/2	145	60	55	45	60	71	298	121	112	90	140	110	7×8	2.3	107	12
	20FHD ⁵ / ₆ -04Z-V	0.56	Rc3/4	Rc1/2	145	60	55	45	60	71	298	121	112	90	140	110	7×8	2.3	107	12
	20FHD ⁵ / ₆ -07Z-V	0.975	Rc3/4	Rc1/2	140.5	85	65	50	85	80	328.5	148	125	100	165	130	10×8	4.5	146	24
	25FHD ⁵ / ₆ -15Z-V	1.95	Rc1	Rc3/4	163.5	85	65	50	85	90	358	154.5	140	125	176	149	10×12	10	156	28
	32FHD ⁵ / ₆ -22Z-V	2.42	Rc1 1/4	Rc1	168.5	95	80	60	95	90	397	154.5	140	125	176	149	10×12	10	156	35
	40FHD ⁵ / ₆ -37Z-V	3.7	Rc1 1/2	Rc1 1/4	202	105	80	60	105	112	431	186	190	140	220	168	12×14	12	175	45
SPIM*2	20FHD ⁵ / ₆ -02S-V	0.3	Rc3/4	Rc1/2	145	60	55	45	60	71	275	98	112	90	150	110	7×20	3.2	86	12
	20FHD ⁵ / ₆ -04S-V	0.56	Rc3/4	Rc1/2	158.5	60	55	45	60	80	305.5	115	125	100	167	125	10×17	3.2	91	15
ISEP*3	20FHD ⁵ / ₆ -02A-V	0.31	Rc3/4	Rc1/2	145	60	55	45	60	71	298	121	112	90	140	110	7×8	2.3	175	13.5
	20FHD ⁵ / ₆ -04A-V	0.56	Rc3/4	Rc1/2	145	60	55	45	60	71	298	121	112	90	140	110	7×8	2.3	175	13.5
	20FHD ⁵ / ₆ -07A-V	0.975	Rc3/4	Rc1/2	140.5	85	65	50	85	80	313.5	133	125	100	155	125	10	8	181	22
	25FHD ⁵ / ₆ -15A-V	1.95	Rc1	Rc3/4	163.5	85	65	50	85	90	362	158.5	140	125	176	150	10	10	195	31.5
	32FHD ⁵ / ₆ -22A-V	2.42	Rc1 1/4	Rc1	183	95	80	60	95	100	401	173	160	140	200	168	12	12	210	42
40FHD ⁵ / ₆ -37A-V	3.7	Rc1 1/2	Rc1 1/4	202	105	80	60	105	112	428	183	190	140	220	168	12	12	227	54	

-Remarks-

Material of the terminal box for Totally Enclosed Fan Cooled motor (0.31 to 0.56kW) is plastic.

*1 Motor for 0.75kW or greater sizes is complied with IE3 standard.

*2 Two capacitors are implemented onto 0.56 kW motor. One for starting and another one for running purpose.

*4 Actual output power value for Extra-loaded corresponded motor.