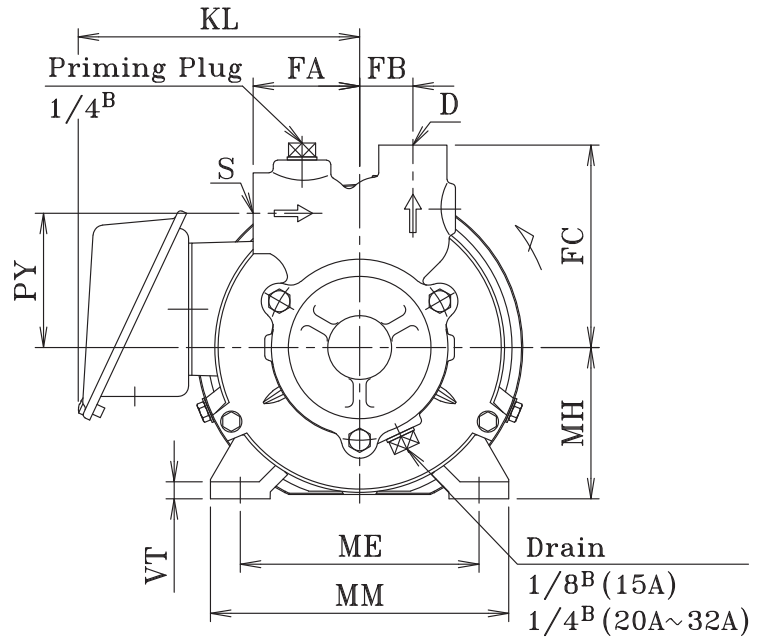
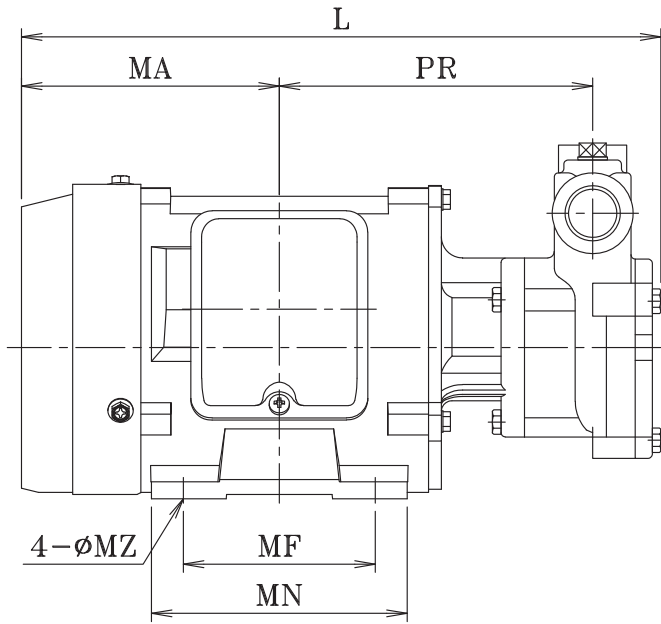
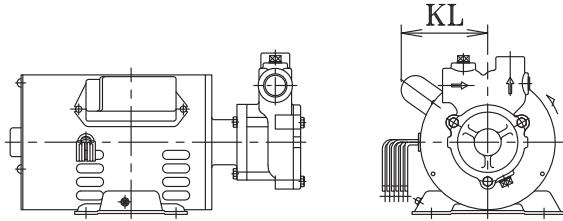


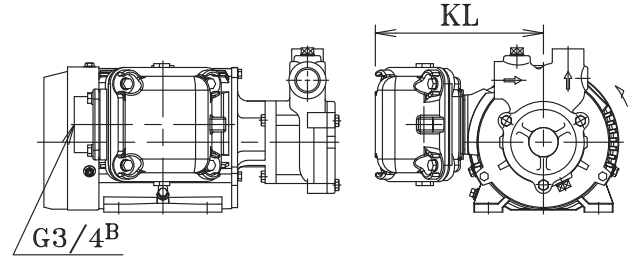
Totally enclosed fan-cooled (IE3)(*1)



Single phase, open drip proof(*2)



Increased safety explosion proof(*3)



Dimension and Weights (*4)

(Unit:mm,kg)

	Model	kW	S	D	PR	PY	FA	FB	FC	MH	L	MA	ME	MF	MM	MN	MZ	VT	KL	Weight
TEFCM(*1)	15FED02Z-V	0.31	Rc1/2	Rc3/8	146	52	45	21	81	71	298	121	112	90	140	120	8×10	8	132	9.5
	15FED04Z-V	0.56	Rc1/2	Rc3/8	146	52	45	21	81	71	298	121	112	90	140	120	8×10	8	132	9.5
	20FED04Z-V	0.56	Rc3/4	Rc1/2	146.5	63	50	25	95	71	299.5	121	112	90	140	120	8×10	8	132	12
	20FED07Z-V	0.975	Rc3/4	Rc1/2	140	63	50	25	95	80	312	140	125	100	155	125	10×12	8	147	18
	25FED07Z-V	0.975	Rc1	Rc3/4	140	70	60	28	105	80	318.5	140	125	100	155	125	10×12	8	147	22
	25FED15Z-V	1.95	Rc1	Rc3/4	163	70	60	28	105	90	356	154.5	140	125	176	149	10×12	10	156	26
	32FED07Z-V	0.975	Rc1 1/4	Rc1	144.5	80	65	35	120	80	328.5	140	125	100	155	125	10×12	8	147	23
	32FED15Z-V	1.95	Rc1 1/4	Rc1	167.5	80	65	35	120	90	366	154.5	140	125	176	149	10×12	10	156	27
SPIM(*2)	15FED02S-V	0.3	Rc1/2	Rc3/8	146	52	45	21	81	71	275	98	112	90	150	110	7×20	3.2	86	12
	15FED04S-V	0.56	Rc1/2	Rc3/8	159.5	52	45	21	81	80	305.5	115	125	100	167	125	10×17	3.2	91	13.5
	20FED04S-V	0.56	Rc3/4	Rc1/2	160	63	50	25	95	80	307	115	125	100	167	125	10×17	3.2	91	14
ISM(*3)	15FED02A-V	0.31	Rc1/2	Rc3/8	146	52	45	21	81	71	298	121	112	90	140	120	7	8	171	18
	15FED04A-V	0.56	Rc1/2	Rc3/8	146	52	45	21	81	71	298	121	112	90	140	120	7	8	171	18
	20FED04A-V	0.56	Rc3/4	Rc1/2	146.5	63	50	25	95	71	299.5	121	112	90	140	120	7	8	171	20
	25FED07A-V	0.975	Rc1	Rc3/4	140	70	60	28	105	80	318.5	140	125	100	155	125	10	8	181	24
	25FED15A-V	1.95	Rc1	Rc3/4	163	70	60	28	105	90	385	183.5	140	125	172	149	10	10	195	36.5
	32FED07A-V	0.975	Rc1 1/4	Rc1	144.5	80	65	35	120	80	328.5	140	125	100	155	125	10	8	181	25
32FED15A-V	1.95	Rc1 1/4	Rc1	167.5	80	65	35	120	90	395	183.5	140	125	172	149	10	10	195	37.5	

-Remarks-

Material of the terminal box for Totally Enclosed Fan Cooled motor (0.31 to 0.56kW) is plastic.

*1 Motor for 0.75kW or greater sizes is complied with IE3 standard.

*2 Two capacitors are implemented onto 0.56 kW motor. One for starting and another one for running purpose.

*4 Actual output power value for Extra-loaded corresponded motor.