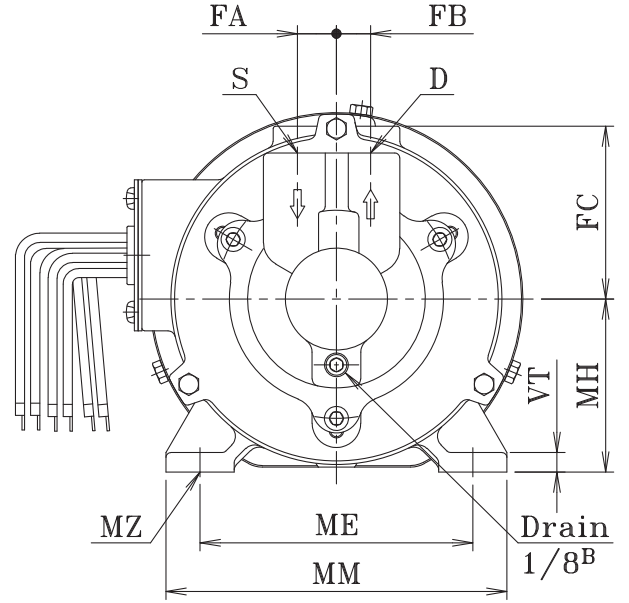
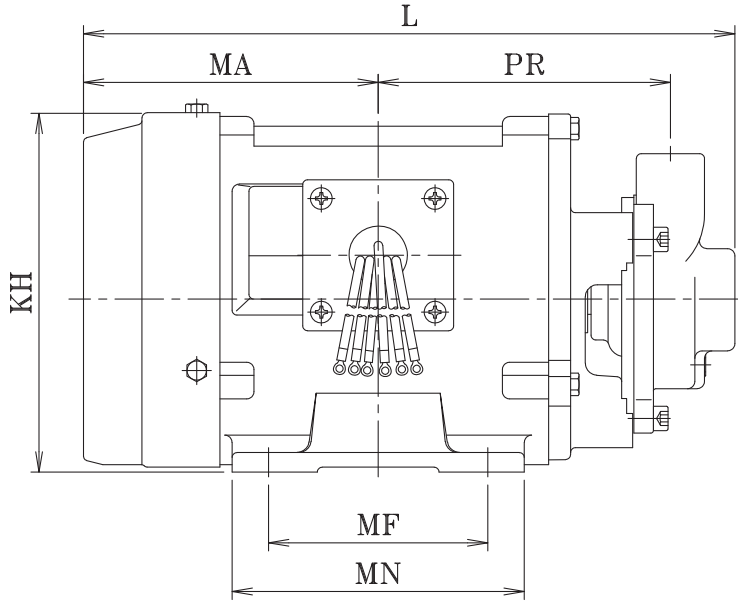
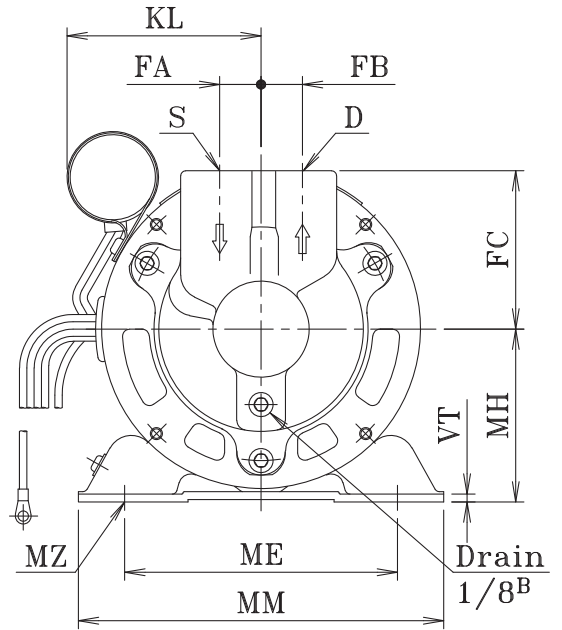
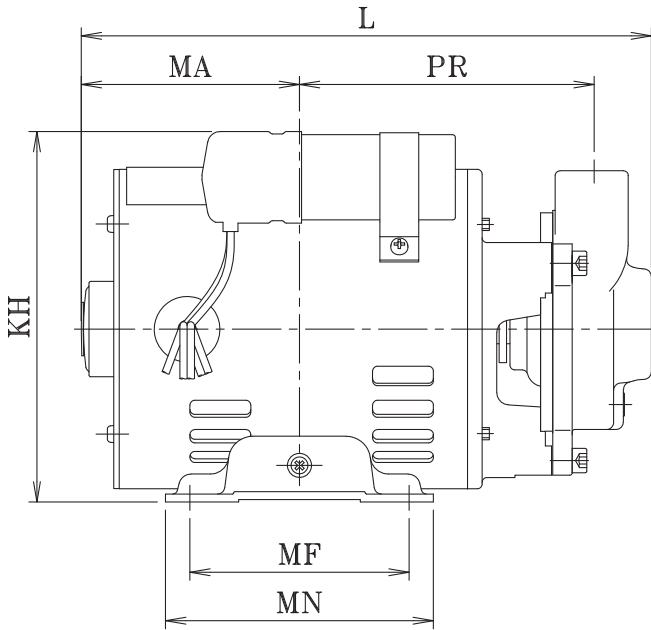


Totally enclosed fan-cooled (IE3)(*1)



Single phase, open drip proof(*2)



Dimension and Weights

(Unit:mm,kg)

	Model	kW	S	D	PR	FA	FB	FC	MH	L	MA	ME	MF	MM	MN	MZ	VT	KL	KH	Weight
SPIM(*1) TEFCM(*1)	15DNL03ZM-V	0.55	Rc1/2	Rc3/8	120	16	14	60	71	267.5	121	112	90	140	120	8×10	8	-	148	10
	20DNL05ZM-V	0.55	Rc3/4	Rc1/2	122	17	17	65	71	267.5	121	112	90	140	120	8×10	8	-	148	10
SPIM(*2) TEFCM(*1)	15DNL03S-V	0.37	Rc1/2	Rc3/8	119	16	14	60	71	234.5	89	112	90	150	110	7×20	3.2	80	154	9
	20DNL05S-V	0.55	Rc3/4	Rc1/2	121	17	17	65	71	253.5	109	112	90	150	110	7×20	3.2	87	164	10

- Remarks -