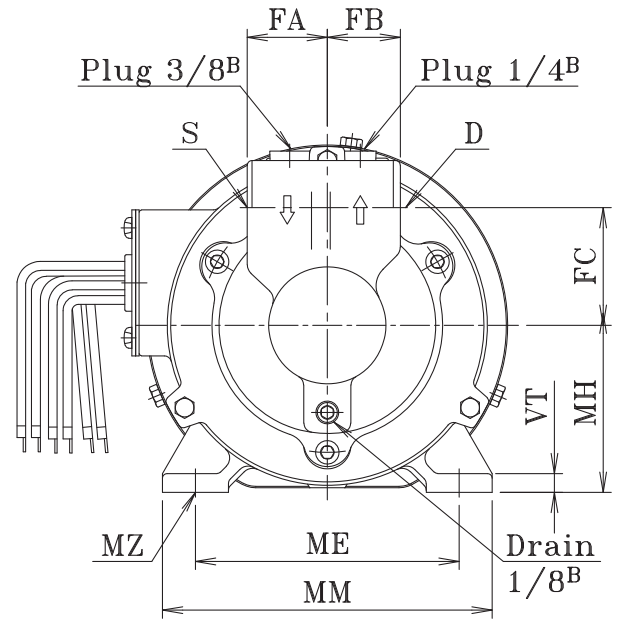
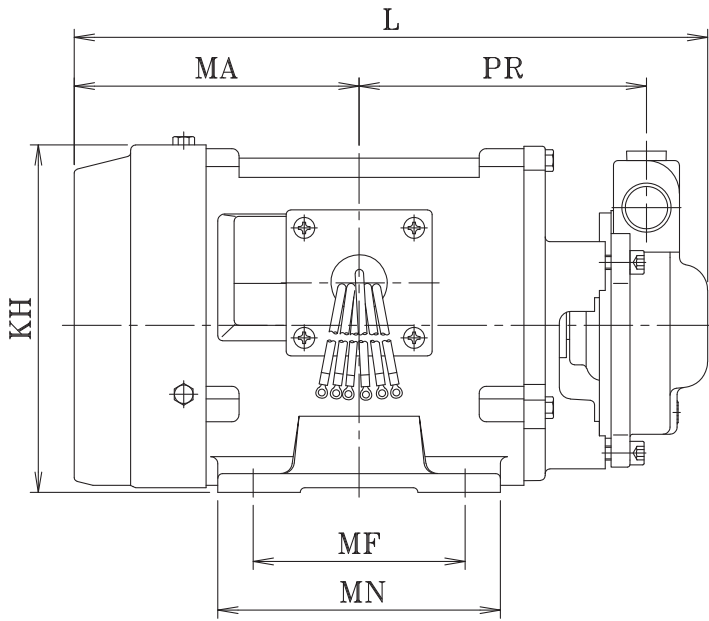
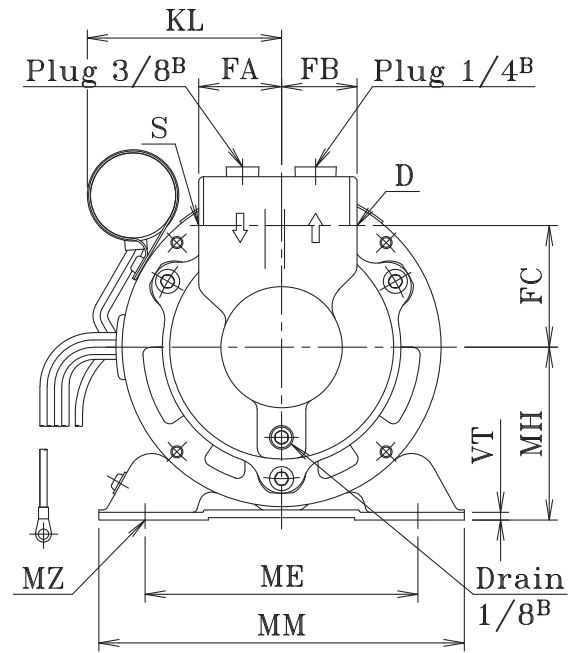
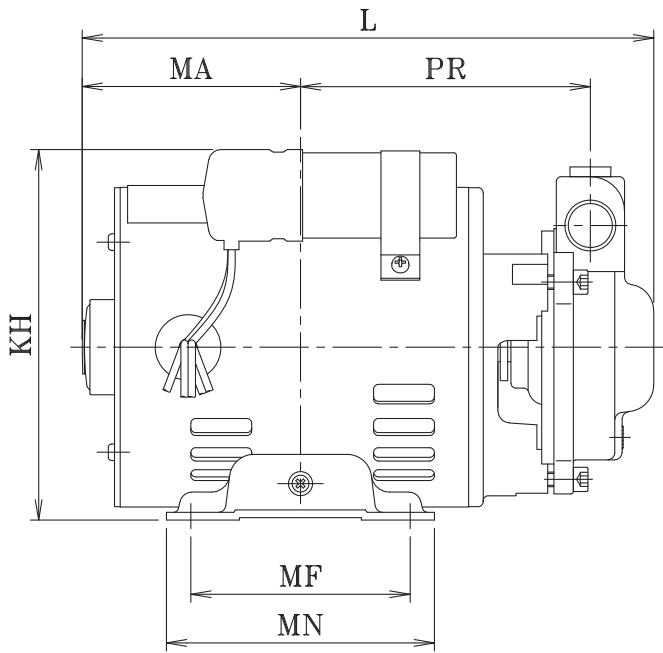


Totally enclosed fan-cooled (IE3)(*1)



Single phase, open drip proof(*2)



Dimension and Weights

(Unit:mm,kg)

	Model	kW	S	D	PR	FA	FB	FC	MH	L	MA	ME	MF	MM	MN	MZ	VT	KL	KH	Weight
TEFCM(*1)	15DKH503ZM-V	0.55	Rc1/2	Rc1/2	122	34	31	50	71	269	121	112	90	140	120	8×10	8	-	148	11
	15DKH505ZM-V	0.55	Rc1/2	Rc1/2	122	34	31	50	71	269	121	112	90	140	120	8×10	8	-	148	11
	15DKH603ZM-V	0.55	Rc1/2	Rc1/2	122	34	31	50	71	269	121	112	90	140	120	8×10	8	-	148	11
	15DKH605ZM-V	0.55	Rc1/2	Rc1/2	122	34	31	50	71	269	121	112	90	140	120	8×10	8	-	148	11
SPIM(*2)	15DKH503S-V	0.37	Rc1/2	Rc1/2	121	34	31	50	71	236	89	112	90	150	110	7×20	3.2	80	154	10
	15DKH505S-V	0.55	Rc1/2	Rc1/2	121	34	31	50	71	256	109	112	90	150	110	7×20	3.2	87	164	11
	15DKH603S-V	0.37	Rc1/2	Rc1/2	121	34	31	50	71	236	89	112	90	150	110	7×20	3.2	80	154	10
	15DKH605S-V	0.55	Rc1/2	Rc1/2	121	34	31	50	71	256	109	112	90	150	110	7×20	3.2	87	164	11

- Remarks -