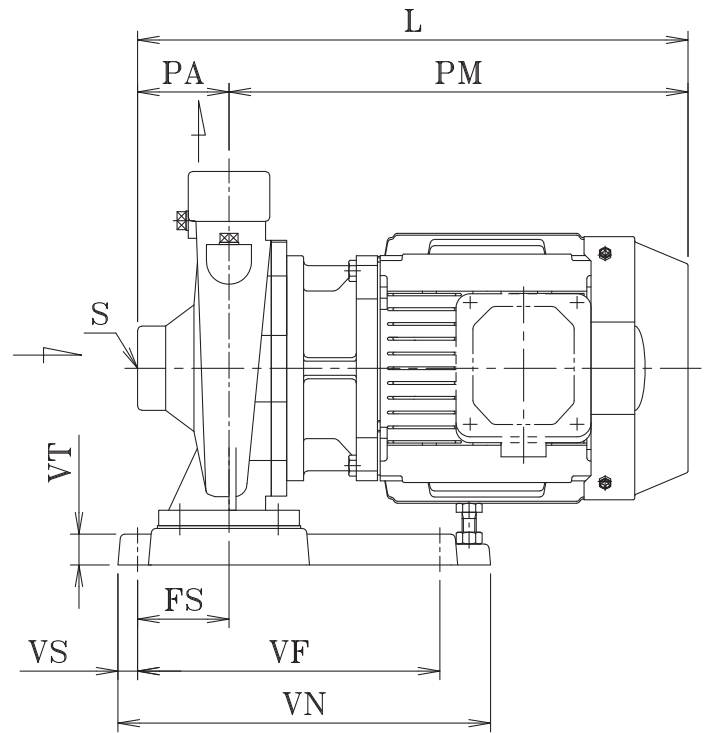
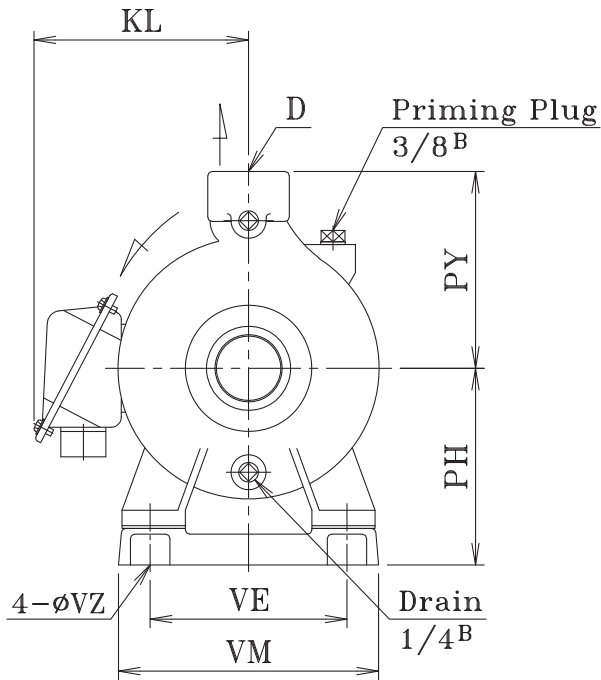


# Totally enclosed fan-cooled [IE3>(\*1)



## Dimension and Weights

(Unit:mm,kg)

Model	kW	S	D	PY	PH	PA	PM	L	VE	VM	FS	VS	VF	VN	VT	VZ	KL	Weight
25CLD5-07ZE	0.75	Rc1	Rc1	125	118	60	286.5	346.5	120	154	45	14	175	224	23	12	144	19
25CLD6-07ZE	0.75	Rc1	Rc1	115	108	60	286.5	346.5	120	154	45	14	175	224	23	12	144	19.6
40CLD5-07ZE	0.75	Rc1 1/2	Rc1 1/4	125	118	60	286.5	346.5	120	154	45	14	175	224	23	12	144	20
40CLD6-07ZE	0.75	Rc1 1/2	Rc1 1/4	115	108	60	286.5	346.5	120	154	45	14	175	224	23	12	144	18.5
40CLD5-15ZE	1.5	Rc1 1/2	Rc1 1/4	140	138	65	334.5	399.5	140	184	65	14	215	264	23	12	168	25
40CLD6-15ZE	1.5	Rc1 1/2	Rc1 1/4	140	138	65	334.5	399.5	140	184	65	14	215	264	23	12	168	25
40CLD5-22ZE	2.2	Rc1 1/2	Rc1 1/4	155	138	65	363.5	428.5	140	184	65	14	215	264	23	12	168	31
40CLD6-22ZE	2.2	Rc1 1/2	Rc1 1/4	140	138	65	363.5	428.5	140	184	65	14	215	264	23	12	168	29.5

-Remarks-